

Owner's Manual
And
Assembly Instructions



JOHN DEERE



The Country Barn
Swingset ~ 2007

Model: 1-AP056-07



Adventure Playsets

Amarillo Texas 79119

Thank you for purchasing an Adventure Playsets Playcenter. We hope it will bring you and your children many years of safe and enjoyable backyard fun.

Table of Contents

Letter to Customer	2
Positioning Your Playcenter	3
Tools Required for Assembly	3
Helpful Installation Hints	4
Suggested Playground Surfacing	5
Operating Instructions	6
Maintenance Instructions	7
Disposal Instructions	7
CPSC Information Sheet	8
Assembly Instructions	9
Customer Notes	39
Frequently Asked Questions	40
Limited Warranty	41
Warranty Claim Procedure	42
Customer Registration Card	43

Your owner's manual should be read carefully before starting assembly.



STOP...PLEASE READ!!

IF YOU HAVE ANY QUESTIONS OR ARE MISSING A PART, PLEASE DO NOT CONTACT THE RETAILER THAT YOU PURCHASED THIS PRODUCT FROM.

PLEASE CALL US DIRECTLY AT THE FACTORY, 1-800-856-4445, OUR TRAINED STAFF WILL ANSWER YOUR QUESTIONS AND OR EXPEDITE PARTS THAT YOU MAY NEED.

For the most efficient service, please log onto our website at **<http://www.adventureplaysets.com>** and register your unit as well as make an order for any missing or damaged parts.

For all international customers, please visit the following website for information on all warranty issues including where to obtain replacement parts.

<http://www.adventureplaysets.com/international>

Dear Customer:

Thank you for purchasing an Adventure Playsets Playcenter. We hope it will bring you and your children many years of safe and enjoyable backyard fun. Adventure Playsets equipment is recommended for use by **children 3 to 10 years of age**. Adventure Playsets structures are **not intended for public use**. **Adventure Playsets does not warranty any of its residential structures subjected to commercial use.**



WARNING: This Symbol points out important safety instructions which, if not followed, could endanger the personal safety of yourself and your children and/or damage your property. You **MUST** read and follow all instructions in this manual before attempting to use this playcenter.



WARNING: Children must **NOT** use this playcenter until unit has been completely assembled and inspected by an adult to insure set has been properly installed and anchored.

Please follow all recommendations below. **Failure to do so may result in the warranty being void and/or safety violations that could result in serious injury.** The following information has been provided to help you in your installation, continued satisfaction, and safe operation of your Adventure Playsets purchase.

Always keep the safety of your children in mind as your play structure is being built and as your children play on the set. Before your children play on the set please review the Operation Instructions with them to help ensure their safety.

PLEASE RETAIN THESE INSTRUCTIONS FOR FUTURE REFERENCE. KEEP THEM IN A SAFE PLACE WHERE YOU CAN REFER TO THEM AS NEEDED. IN ORDER TO PROVIDE YOU WITH THE MOST EFFICIENT SERVICE, IT IS REQUIRED THAT YOU PROVIDE US WITH THE PART NUMBERS WHEN ORDERING PARTS.

Please do **NOT** return the playcenter to the retailer from which it was purchased, without first contacting Customer Service.

General Information:

Please take time and fill out the information below. This information will be needed for warranty issues.

Date of Purchase: _____ **Date stamped on box:** _____

Manufacturer: Adventure Playsets

14201 Interstate 27

Amarillo, TX 79119

Ph. #: 1-800-856-4445

Fax: 806-622-1515

E-mail: custservice@adventureplaysets.com

Website: <http://www.adventureplaysets.com>

International Website: <http://www.adventureplaysets.com/international>

Vendor: _____

Unit Type:

Unit Name: The Country Barn - 2007

Revision Date: 01/19/07

Unit Model Number: 1-AP056-07

Maximum Fall Height:

6'-11"







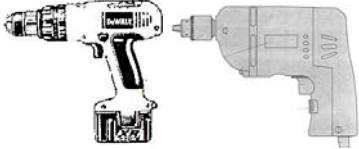



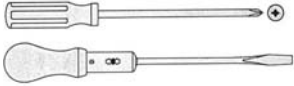

The instructions and owner's manual for your new Playcenter should be read in its entirety before assembly, to minimize problems and safety issues. We recommend reading the owner's manual thoroughly after you have identified all of the parts for your Playcenter as discussed in the Helpful Installations Hints section below.

Positioning Your Play center

1. The Playcenter is designed to be installed on a level surface **by an Adult with an Adult helper**. Try to place in a flat area of your yard to minimize ground preparation.
2. Place the equipment not less than 6 ft from any structure or obstruction such as a fence, garage, house, overhanging branches, laundry lines, or electrical wires.
3. It is a good idea to place your Playcenter in an area that is convenient for adults to watch children at play.
4. The area that you choose should be policed for glass, rocks or anything jagged or sharp that could endanger your children's safety. The surface underneath your play system can cause or prevent injuries. We have additional suggestions in the Suggested Playground Surfacing Section.
5. Do not build your playset on top of surfacing material.

Tools Required for Installation:

(These are the tools that are generally required for assembly of our playsets. These tools are not included in the playset purchase.)

		
(Level 24")	(Open end Wrenches 1/2" & 7/16")	(Nut drivers 1/2" & 9/16")
		
(Tape Measure)	(3/8" Drive Ratchet, 1/2" & 9/16" std sockets 1/2" & 9/16" deep sockets)	(Claw Hammer)
		
(3/8" Cordless Drill or Electric drill)	(3/16", 5/16" & 3/8" drill bits)	(Drill attachments: Phillips head screw 3/8" Socket Driver Torque head screw)
		
(An Adult w/an Adult helper)	(Phillips & Straight Blade screw drivers)	(Rubber Mallet –Optional)

Helpful Installation Hints

1. Depending on your experience, assembly of this Play set should take approximately 6 to 12 hours after inventory of parts. Therefore, we recommend you set aside a full day for assembly.
2. Identify all of the parts for your Playcenter. Empty each box and lay out boards so you can see each part. Your instruction book will have detailed drawings that will make it easy for you to recognize individual parts. Keep all hardware and metal parts separate from wooden pieces.
3. After everything is laid out, check carefully to ensure all parts are present. Make sure there are no broken boards.
4. Find an area to sort your hardware. It is best to open the hardware on a solid surface so that you do not lose any pieces in the grass. This will save time and familiarize you with all the different pieces in the hardware bag.
5. Important note: Wood has some natural defects such as knots, surface cracks, etc... We reject parts that are structurally defective. We use a high quality lumber in our structures; however, you should inspect each part for splinters or rough spots and sand them smooth to prevent injury.
6. After steps 1 thru 4 have been completed, read all the way through the instructions completely. Reading instructions after you have studied the parts will help you understand more clearly the installation process, and help to eliminate unnecessary mistakes.
7. Pay close attention to the diameter and length of each bolt and screw. There will be different sizes in the same bag, so they must be sorted correctly.
8. Swing hangers should be buried past the threads, so that the loop is against the swing beam. Adventure Playsets is not responsible for incorrect installations of swing hangers. Failure to properly install swing hangers may cause severe injury.
9. Never tighten hardware completely at first. It helps to have some adjustment for bolt alignment while you are attaching parts together. After everything is square, tighten each joint.
10. After the main unit is assembled it is critical that the floor is level and square. If the main frame is not level, the walls and floor will be out of square.
11. After you complete installation, make sure every bolt, screw, and nut is tight, and every board is secure. Wood will expand and contract with the seasons. Check all bolt connections and swing hangers every two weeks.
12. Place the set on level ground, not less than 6ft from any structure or obstruction such as a fence, garage, house, overhanging branches, laundry lines, or electrical wires.

READ! VERY IMPORTANT!

If you are missing parts or have questions regarding the installation of our quality product PLEASE call us directly at the factory (1-800-856-4445). Our trained staff will be happy to assist you.

Customer service hours:

Monday thru Friday: 9am to 6pm

Saturday: 9am to 2pm (During Season: March 1 – Aug. 15)

Central Standard Time.

E-mail: custservice@adventureplaysets.com

ATTENTION: INTERNATIONAL CUSTOMERS

We thank you for purchasing our excellent quality play equipment. We are sure that you will be satisfied with your selection. However, should you experience any problems or require any advice, do not return the item to the store, please visit the following website for information on all warranty issues including where to obtain replacement parts.

<http://www.adventureplaysets.com/international>

Suggested Playground Surfacing

- ❑ Playground equipment should never be placed on hard surfaces such as concrete or asphalt.
- ❑ Shredded bark mulch, wood chips, fine sand and fine gravel, are added as shock absorbing materials after assembly. If used properly these materials can absorb some of the impact of a child's fall.
- ❑ All surface material should extend a minimum of 6 feet in all directions around the play area.
- ❑ Do not apply playground surfacing until after the unit is completely constructed. Playset should not be built on top of surfacing.

The following chart explains the fall height in feet from which a life threatening head injury would not be expected

Critical Heights in feet (m) of Tested Materials

Material	Uncompressed Depth			Compressed Depth
	6" (152mm)	9" (228mm)	12" (304mm)	to 9" (228mm)
Wood Chips	7' (2.13m)	10' (3.05m)	11' (3.35m)	10' (3.05m)
Double-Shredded bark mulch	6' (1.83m)	10' (3.05m)	11' (3.35m)	7' (2.13m)
Engineered Wood Fibers	6' (1.83m)	7' (2.13m)	>12' (3.66m)	6' (1.83m)
Fine Sand	5' (1.52m)	5' (1.52m)	9' (2.74m)	5' (1.52m)
Coarse Sand	5' (1.52m)	5' (1.52m)	6' (1.83m)	4' (1.22m)
Fine Gravel	5' (1.52m)	7' (2.13m)	10' (3.05m)	6' (1.83m)
Medium Gravel	5' (1.52m)	5' (1.52m)	6' (1.83m)	5' (1.52m)
Shredded Tires*	10-12' (3.0-3.6m)	N/A	N/A	N/A

*This data is from tests conducted by independent testing laboratories on a 6-inch depth of uncompressed shredded tire samples produced by four manufacturers. The tests reported critical heights, which varied from 10 feet to greater than 12 feet. It is recommended that persons seeking to install shredded tires as a protective surface request test data from the supplier showing the critical height of the material when it was tested in accordance with ASTM F1292.

Operating Instructions:



NOTE: Your children's safety is our #1 concern. Observing the following statements and warnings reduces the likelihood of serious or fatal injury. Please review these safety rules regularly with your children.

1. This Playcenter is designed for the use of 5 occupants who have a combined weight not exceeding 351 pounds on the elevated floor, 4 occupants who have a combined weight of 351 pounds on the swing area, for a total Unit capacity of 9 occupants who have a combined weight of 702.
2. On-site adult supervision is **required**.
3. Instruct children **not** to walk close to, in front of, behind, or between moving swings or other moving playground equipment.
4. Instruct children to sit in and **never** stand on swings
5. Instruct children **not** to twist the chains and ropes and not to loop them over the top support bar, since this may reduce the strength of the chain or rope.
6. Instruct children **not** to jump from swings or other playground equipment in motion.
7. Instruct children to **not push** empty seats. The seat may hit them and cause serious injury.
8. Instruct and teach children to sit in the center of the swings with their full weight on the seats.
9. Instruct children **not** to use the equipment in a manner other than intended.
10. Instruct children to **always** go down slides feet first. Never slide headfirst.
11. Instruct children to **look** before they slide to make sure no one is at the bottom.
12. Instruct children to **never** run up a slide, as this increases their chances of falling.
13. The parents should have the children **dress appropriately** with well-fitting shoes. Loose clothing such as scarves and ponchos should not be worn. Always take off, tie up or tuck in cords and drawstrings on children's clothing. These things can get caught on playground equipment and strangle a child.
14. Instruct children **not** to climb when the equipment is wet.
15. Instruct children to **never** jump from a fort deck. They should always use the ladder, ramp or slide.
16. Instruct children to **never** crawl or walk across the top of monkey bars.
17. Instruct children to **never** crawl on top of a fort roof.
18. Verify that any suspended climbing ropes, chain, or cable are secured at both ends and that they cannot be looped back on it.
19. Instruct children **not** to attach items to the playground equipment that are not specifically designed for use with the equipment, such as, but not limited to, jump ropes, clothesline, pet leashes, cables and chain as they may cause a strangulation hazard.
20. Instruct children to **never** use Monkey Bar when swings or glider are in use.
21. Instruct children to **never** wrap their legs around swing chain.
22. Instruct children to **never** slide down the swing chain.

Maintenance Instructions:

1. Check all nuts and bolts twice monthly during the usage season and tighten as required. (But not so tight that you crack the wood) We recommend you check the swing beam and hardware every two weeks due to wood expansion and contraction. It is particularly important that this procedure be followed at the beginning of each season.
2. Remove plastic swing seats and take indoors or do not use when the temperature drops below 32 °F.
3. Oil all metallic moving parts monthly during the usage period.
4. Check all coverings for bolts and sharp edges twice monthly during usage season to be certain they are in place. Replace when necessary. It is especially important to do this at the beginning of each new season.
5. Check swing seats, ropes, cables and chains monthly during usage season for evidence of deterioration. Replacement should be made of any swing seat that has developed cracks in the plastic seats or has exposed metal in the edges of the swing seat. If there are already exposed metal inserts on the edge of the seat, immediately remove the seats and chains to prevent serious injury. Ropes, cables and chains should be removed and replaced if excessive wear is found. Contact Adventure Playsets for replacement parts.
6. For rusted areas on metallic members such as monkey bars, hand supports, brackets, etc., sand and repaint, using a non lead-based paint meeting the requirements of Title 16 CRF Part 1303.
7. Inspect wood parts monthly. The grain of the wood sometimes will lift in the dry season causing splinters to appear. Light sanding may be necessary to maintain a safe playing environment. If you are treating your Playcenter with stain regularly, it will help prevent severe checking/splitting and other weather damage.
8. We have applied a waterborne transparent stain to your unit. This is done for color only. Once or twice a year, depending on your climate conditions, you must apply some type of protection (sealant) to the wood of your unit. Prior to the application of sealant, lightly sand any "rough" spots on your set. Please note this is a requirement of your warranty.
9. Creating and maintaining the Playcenter on a level location is very important. As your children play, your Playcenter will slowly dig its way into the soil, and it is very important that it settles evenly. Make sure the play set is level and true once each year or at the beginning of each play season.

Disposal Instructions:

When the Playcenter use is no longer desired, it should be disassembled and disposed of in such a way that no unreasonable hazards will exist at the time the unit is discarded.

NOMINAL MATERIAL SIZES			
NAMED SIZE		TRUE SIZE	
Imperial (")	Metric (mm)	Imperial (")	Metric (mm)
1x6	2.5x15.3	3/4x5x1/2	1.9x14
5/4x4	3.2x10.2	1x3 1/2	2.5x9
5/4x6	3.2x15.3	1x5 1/2	2.5x14
2x2	5x5	1 1/2x1 1/2	3.8x3.8
2x3	5x7.6	1 1/2x2 1/2	3.8x6.4
2x4	5x10	1 1/2x3 1/2	3.8x9
2x6	5x15.3	1 1/2x5 1/2	3.8x14
4x4	10x10	3 1/2x3 1/2	9x9
Estimated Sizing Due to Molding of Wood			

APPENDIX A

Information on Playground Surfacing Materials:

The following information is from the *United States Consumer Product Safety Commission's Information Sheet for playground surfacing material*. Also see the following website for additional information: www.cpsc.gov/cpscpub/pubs/323.html.

X3. CONSUMER INFORMATION SHEET FOR PLAYGROUND SURFACING MATERIALS¹¹

X3.1 The U.S. Consumer Product Safety Commission (CPSC) estimates that about 100,000 playground equipment-related injuries resulting from falls to the ground surface are treated annually in U.S. hospital emergency rooms. Injuries involving this hazard pattern tend to be among the most serious of all playground injuries, and have the potential to be fatal, particularly when the injury is to the head. The surface under and around playground equipment can be a major factor in determining the injury-causing potential of a fall. It is self evident that a fall onto a shock-absorbing surface is less likely to cause a serious injury than a fall onto a hard surface. Playground equipment should never be placed on hard surfaces such as concrete or asphalt and while grass may appear to be acceptable it may quickly turn to hard packed earth in areas of high traffic. Shredded bark mulch, wood chips, fine sand or fine gravel are considered to be acceptable shock absorbing surfaces when installed and maintained at a sufficient depth under and around playground equipment.

X3.2 Table X3.1 lists the maximum height from which a child would not be expected to sustain a life-threatening head injury in a fall onto four different loose-fill surfacing materials if they are installed and maintained at depths of 6, 9, and 12 in. However, it should be recognized that all injuries due to falls cannot be prevented no matter what surfacing material is used.

X3.3 It is recommended that a shock absorbing material should extend a minimum of 6 ft in all directions from the perimeter of stationary equipment such as climbers and slides. However, because children may deliberately jump from a moving swing, the shock absorbing material should extend in the front and rear of a swing a minimum distance of 2 times the height of the pivot point measured from a point directly beneath the pivot on the supporting structure.

X3.4 This information is intended to assist in comparing the relative shock-absorbing properties of various materials. No particular material is recommended over another. However, each material is only effective when properly maintained. Materials should be checked periodically and replenished to maintain correct depth as determined necessary for your equipment. The choice of a material depends on the type and height of the playground equipment, the availability of the material in your area, and its cost.

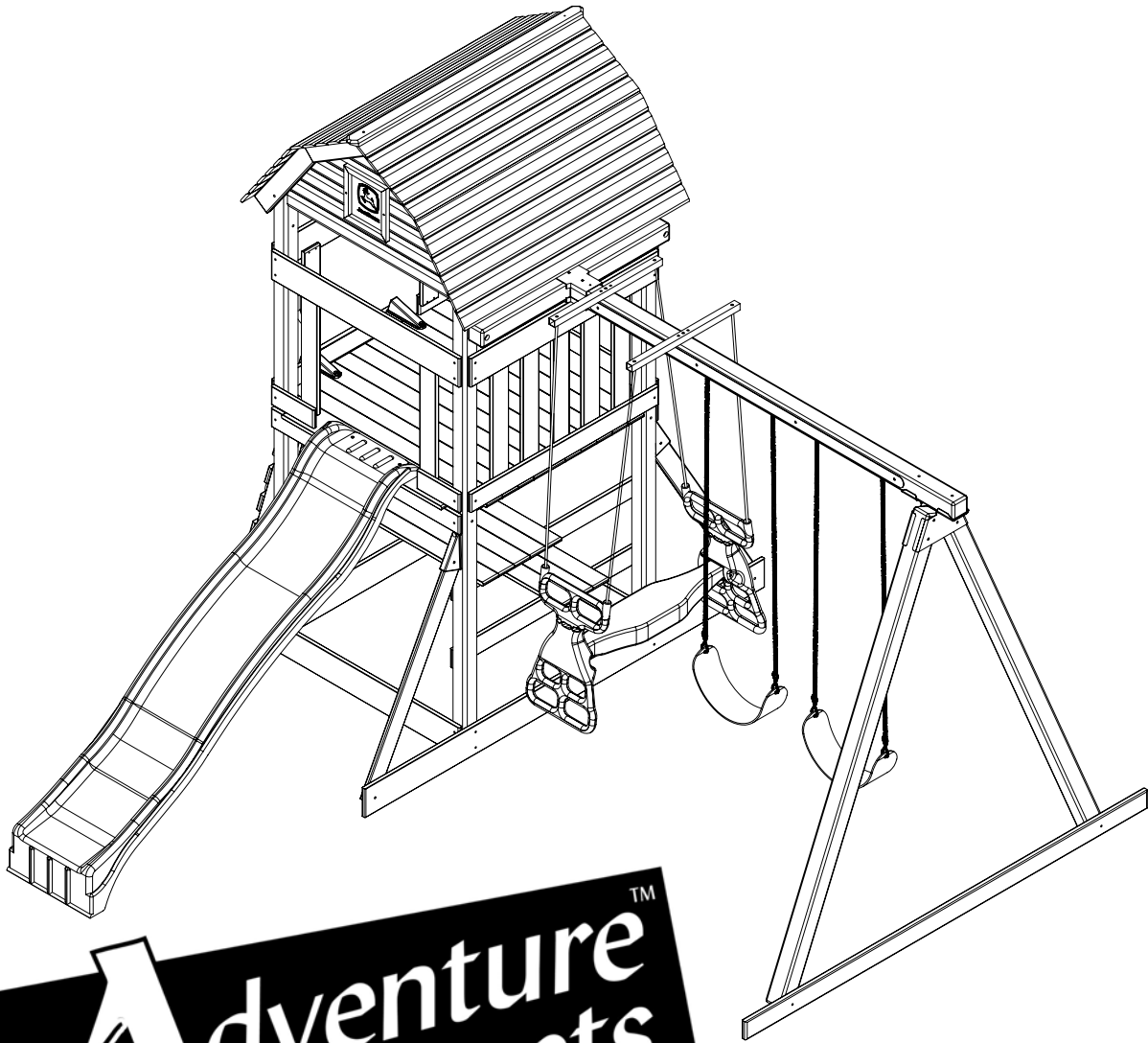
¹¹This information has been extracted from the CPSC publications "Playground Surfacing — Technical Information Guide" and "Handbook for Public Playground Safety." Copies of these reports can be obtained by sending a postcard to: Office of Public Affairs, U.S. Consumer Product Safety Commission, Washington, D.C., 20207 or call the toll-free hotline: 1-800-638-2772.

The American Society for Testing and Materials takes no position respecting the validity of any patent right asserted in connection with any item mentioned in this standard. Users of this standard are expressly advised that determination of the validity of any such patent rights, and the risk of infringement of such rights, are entirely their own responsibility.

The standard is subject to revision at any time by the responsible technical committee and must be reviewed every five years and if not revised, either approved or withdrawn. Your comments are invited either for revision of this standard or for additional standards and should be addressed to ASTM Headquarters. Your comments will receive careful consideration at a meeting of the responsible technical committee, which you may attend. If you feel that your comments have not received a fair hearing you should make your views known to the ASTM Committee on Standards, 100 Barr Harbor Drive, West Conshohocken, PA 19428.

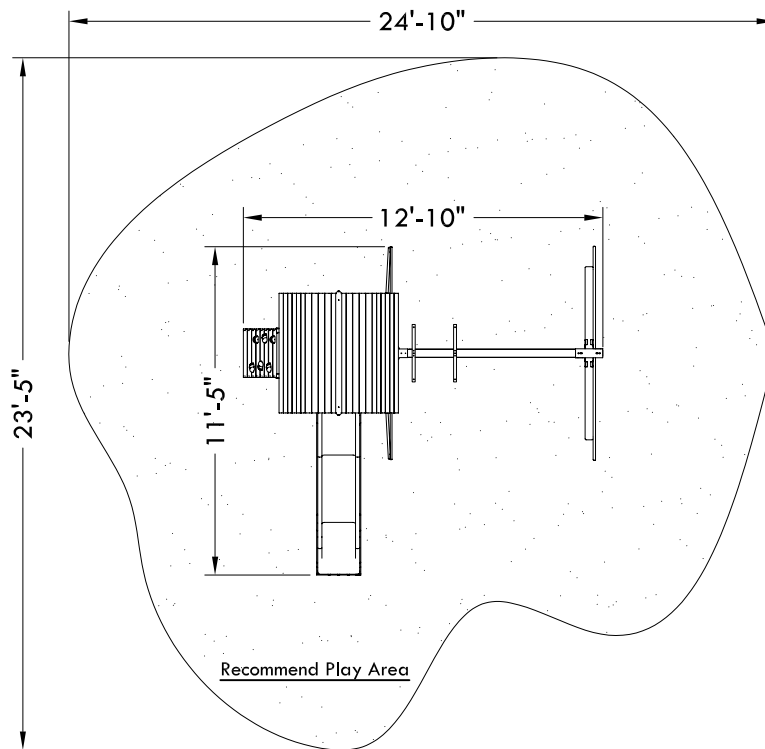
The Country Barn Swingset

Assembly Instructions



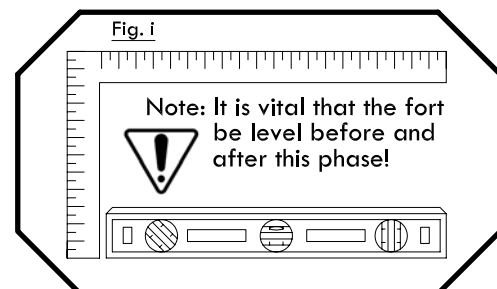
Basic Setup Dimensions

Place the set on level ground, not less than 6ft from any structure or obstruction such as a fence, garage, house, overhanging branches, laundry lines or electrical wires.

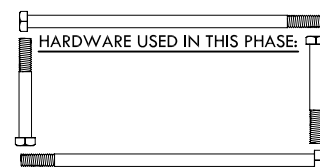


Important Assembly Notes

1) While assembling unit, take time before and after each phase to make sure Fort is level. If fort is not level, assembly will be difficult and improper assembly may result. Extra care must be taken to assure the fort is square on the phases that include this symbol in Fig i.



2) Pay close attention to this symbol, it will list all the hardware needed for the current phase. It can be a valuable aid when sorting hardware. Assembly will be made easier if hardware is sorted by phase.

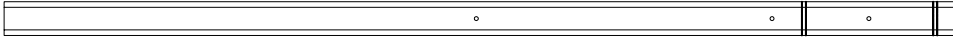
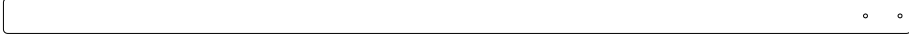


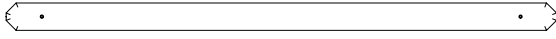
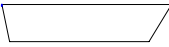




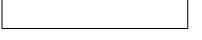





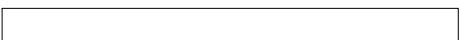


3) Pay close attention to make sure you are using the correct hardware in the correct places. Using incorrect hardware may result in improper assembly.

4) Read the steps of each phase thoroughly. The written steps may include important information not shown in the illustrations.





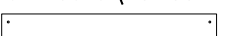


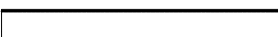
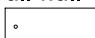



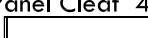
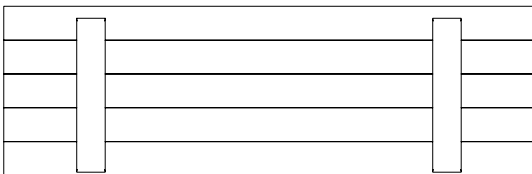
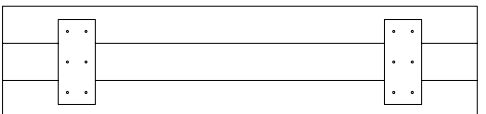
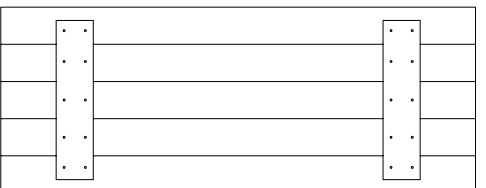
Parts Identification

Wood Components

<u>ID LETTER</u>	<u>DESCRIPTION</u>	<u>QUANTITY</u>
A	4x4x89 $\frac{1}{2}$ " Fort Upright (Octogon - Green) 4LP1085-07 	4
B	4x4x85 $\frac{1}{2}$ " Single Beam A-Frame Legs (Square - Green) 4LP1088-07 	2
C	4x4x89 $\frac{1}{2}$ " Single Beam Top Beam (Square - Green) 4LP1086-07 	1
D	4x4x41 $\frac{7}{8}$ " - Single Beam Mounting Rail 4L2239-07 	1
F	2x3x51 $\frac{7}{8}$ " - Roof Ridge Cap 4L2255-07 	1
G	$\frac{5}{4}$ x4x16" - Barn Roof Support 4L2235-07 	4
H	$\frac{5}{4}$ x4x89 $\frac{1}{2}$ " - A-Frame Ground Beam 4L2252-07 	1
I	$\frac{5}{4}$ x4x50 $\frac{1}{2}$ " - Rockwall Support 4L1610-06 	2
J	$\frac{5}{4}$ x4x41 $\frac{7}{8}$ " - Floor Joist 4L1660-06 	2
K	$\frac{5}{4}$ x4x19" - Barn Roof Support 4L2234-07 	4
L	$\frac{5}{4}$ x4x17 $\frac{1}{2}$ " - Rockwall Cap Board 4L1650-06 	1
M	1x6x89" - Fort Ground Beam 4L1608-06 	1
N	1x6x41 $\frac{7}{8}$ " - Fort Rail/Sandbox Board 4L1621-06 	7
O	1x6x35 $\frac{5}{8}$ " - End Floor Board 4L1622-06 	2
Q	1x4x50" - Roof Board 4L2243-07 	2
R	1x4x44 $\frac{1}{4}$ " - Fort Angle Brace 4L1607-05 	2
S	1x4x43" - Middle Floor Brace 4L1597-06 	1

Parts Identification

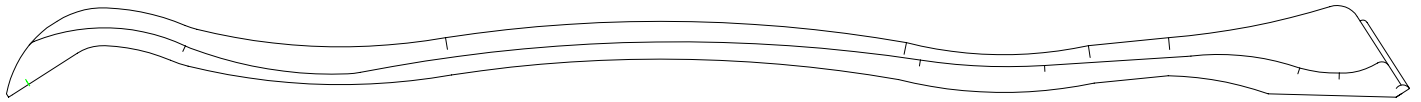
Wood Components

ID LETTER	DESCRIPTION	QUANTITY
T	1x4x41 ⁷ / ₈ " - Fort Rail 4L1623-06 	8
U	1x4x36" Cabin Rail 4L2057-07 	2
V	1x4x23 ¹ / ₂ " Wall Slat 4L1686-06 	14
W	1x4x20 ¹ / ₄ " Rockwall Board 4L1394-05 	6
X	1x4x20 ¹ / ₄ " Rockwall Board (no rock hole) 4L1496-05 	2
Y	1x4x38 1/2" Cabin Rail 4L2245-07 	2
Z	1x4x34" Cabin Rail 4L2246-07 	2
AA	1x4x27" Cabin Rail 4L2247-07 	2
AB	1x4x9 ¹ / ₂ " Wall Rail 4L1633-06 	4
AC	1x4x22 ¹ / ₂ " Cabin Rail 4L2248-07 	2
AD	1x4x12 ¹ / ₄ " Cabin Rail 4L2249-07 	2
AE	1x4x8" Panel Cleat 4L1653-06 	5
AF	1x3x14 ¹ / ₂ " Panel Cleat 4L2144-07 	1
AG	50" 5 board Roof Panel 2A1217-07 	4
AH	44 ³ / ₄ " 3 Board Floor/Picnic Panel - 2A1079-06 	1
AI	44 ³ / ₄ " 5 Board Floor/Picnic Panel - 2A1075-06 	3

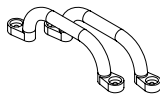
Parts Identification

Accessories

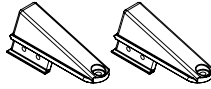
1 - 8' Wave Slide - 6P112



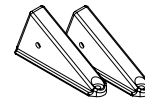
1 - Hand Grips (pair) - 6P002



2 - Rockwall Bracket - 6P114



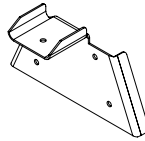
2 - Angle Brace Bracket - 6P113



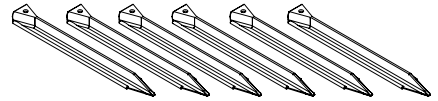
6 - Green L-Bracket - 6M021



2 - A-Frame Bracket - 6M054



6 - Plastic Stakes - 6P085



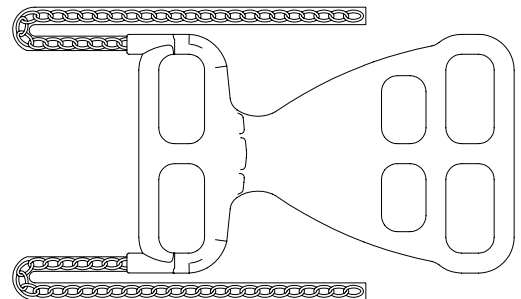
6 - Roof Screw Plate - 4M1055-07



2 - Single Beam Strip - 4M1065-07



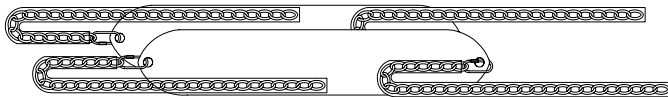
2 - Glider Arms w/chain - 2A1219-07



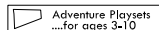
4 - Glider Support Plugs - 6P115



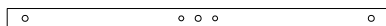
2 - Swing Seats w/chain - 2A1220-07



1 - Adventure Playsets Identification Sticker
6BLAB22



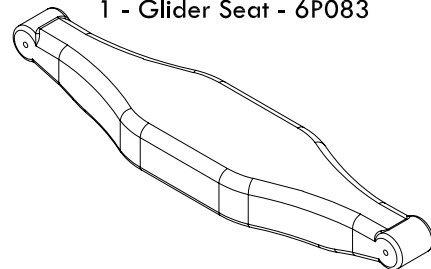
2 - Single Beam Glider Support - 4M1062-07



2 - Single Beam Clamp Halves - 4M1064-07



1 - Glider Seat - 6P083

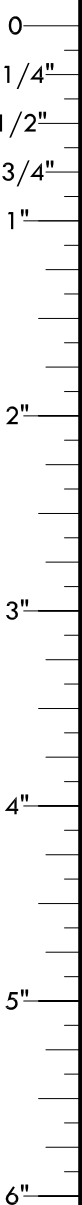
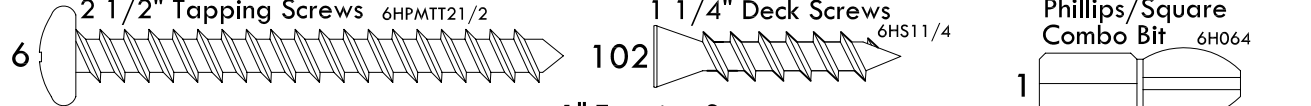
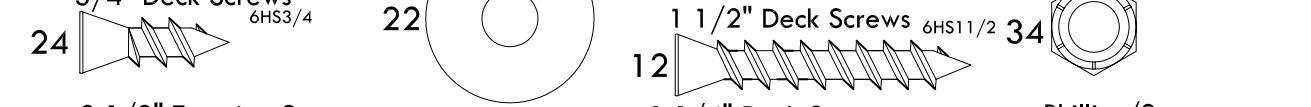
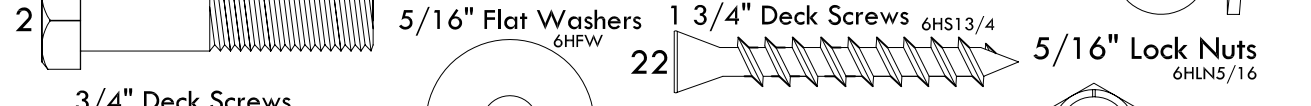
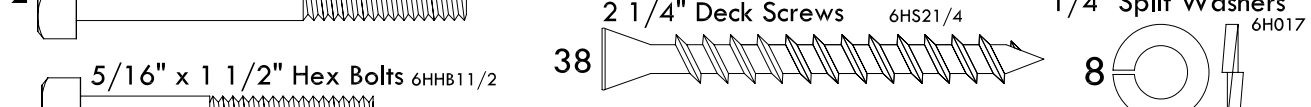
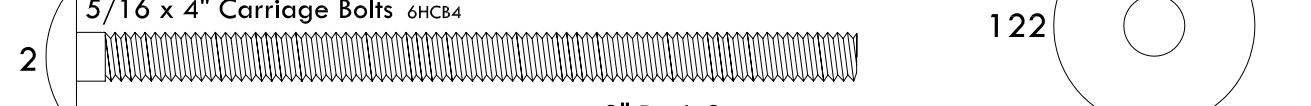
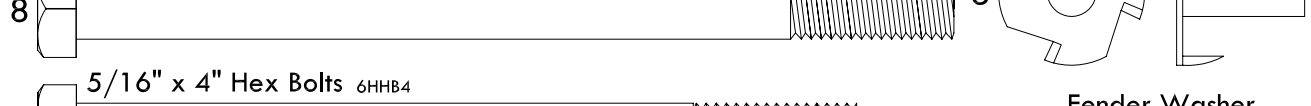
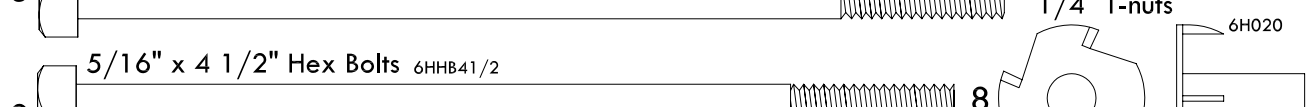
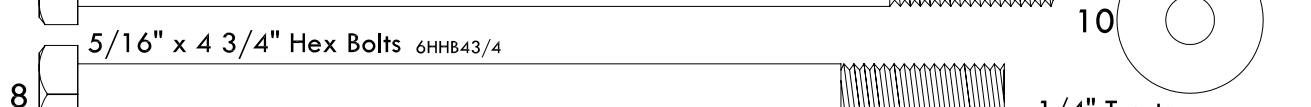
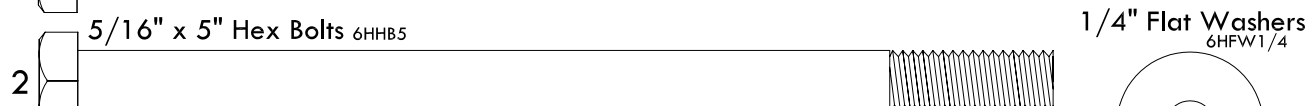
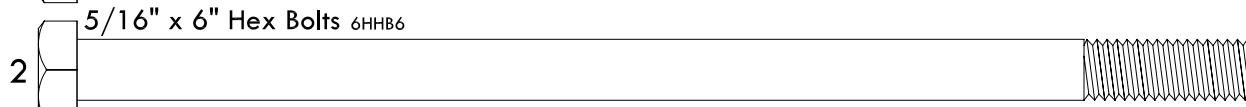
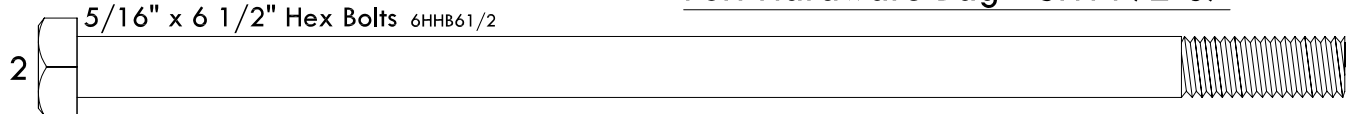


1 - Gable Logo Frame - 3A108-07



Hardware Identification

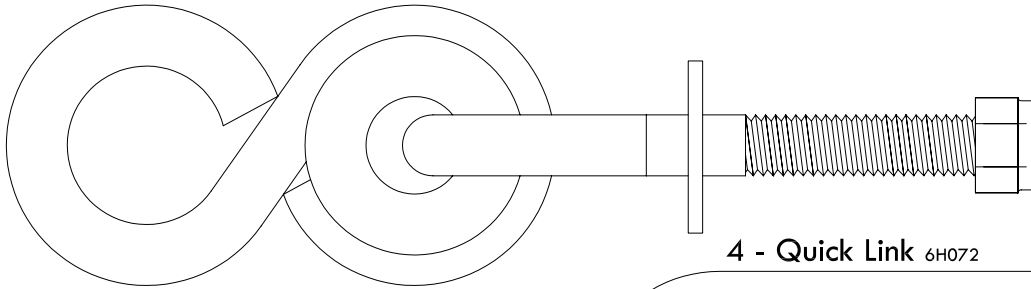
Fort Hardware Bag - 3H1192-07



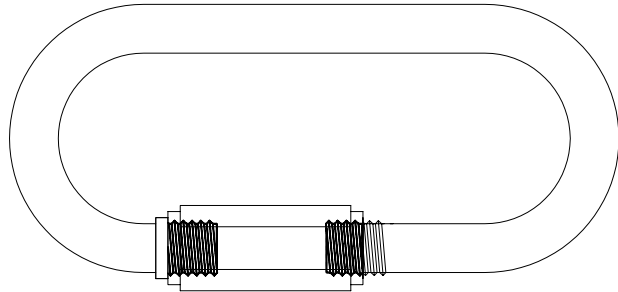
Hardware Identification

Fort Hardware Bag - 3H1192-07 cont.

4 - Glider Swing Hanger Swivel w/ Flat Washer and Lock Nut 6HSH52

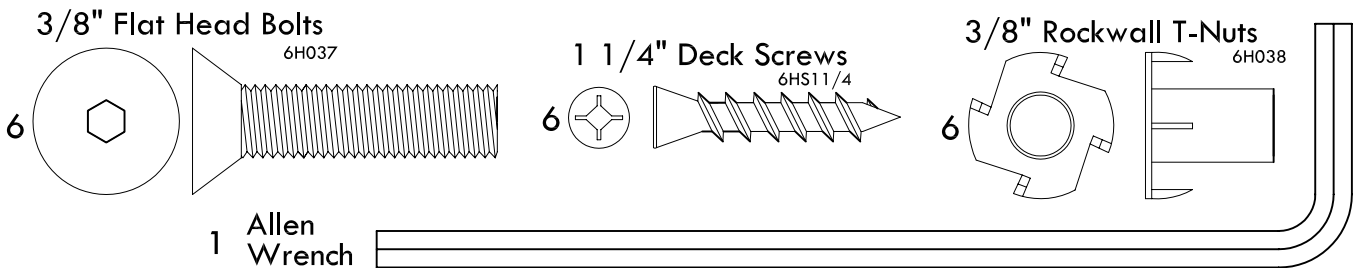


4 - Quick Link 6H072



Rock Hardware Bag - 6P054

6 Rockwall Rocks (Not Shown)

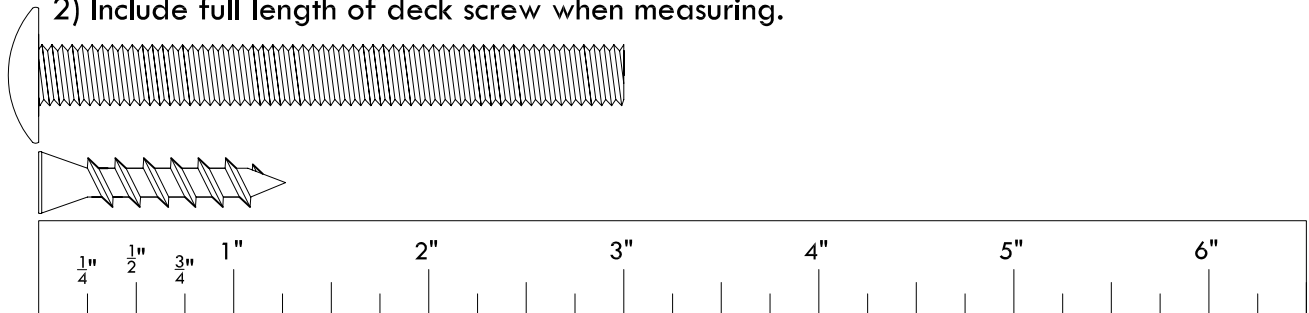


Measuring hardware

It is very important that you get the right hardware in the correct place when assembling the unit. You can use the ruler below to measure your hardware or you can compare the hardware to the hardware identification page.

NOTES:

- 1) Do not include bolt head when measuring length of bolt.
- 2) Include full length of deck screw when measuring.



Phase 1

Frame Assembly

Items needed for this phase:

- (4) Fort Uprights 'A'
- (1) Single Beam Mounting Rail 'D'
- (2) Floor Joists 'J'
- (1) Fort Ground Beams 'M'
- (3) Fort Rails 'N'

HARDWARE USED IN THIS PHASE:	
6 1/2" Hex Bolts - 2	
4 3/4" Hex Bolts - 4	
4 1/2" Hex Bolts - 4	
2" Tapping Screws - 12	
Fender Washers - 30	
5/16" Flat Washers - 2	
Lock Nuts - 10	

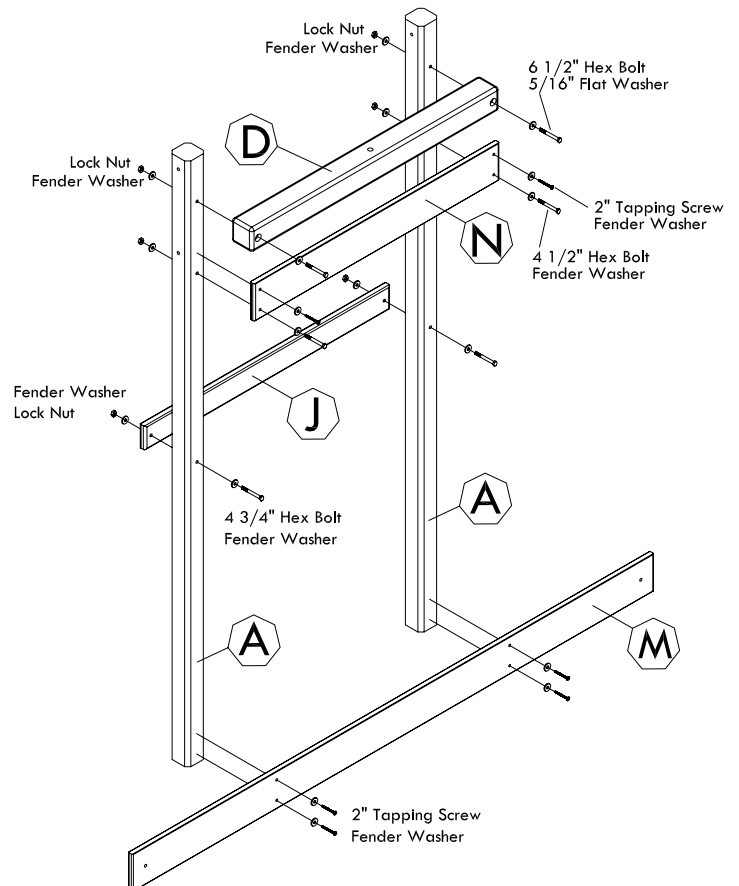
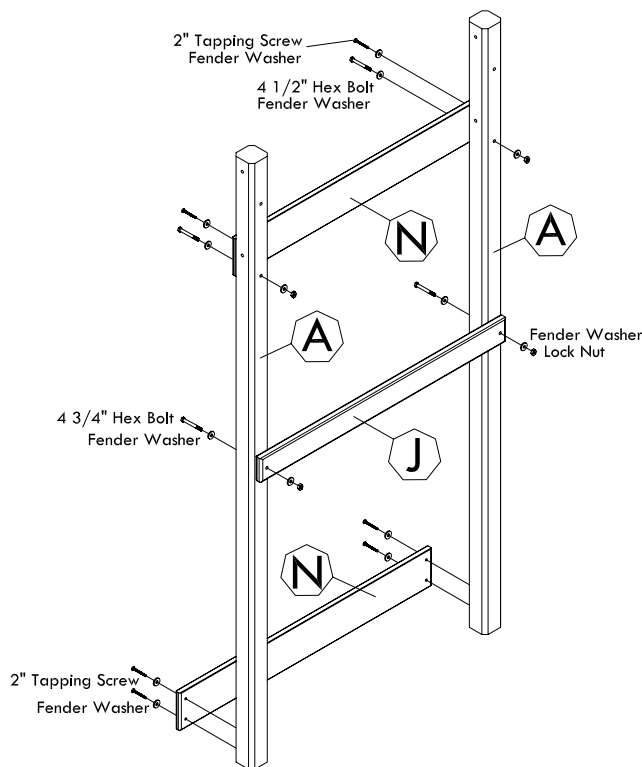
Step 1: Attach Floor Joists 'J' to Fort Uprights 'A' with 4 3/4" hex bolts, fender washers and lock nuts as shown.

Step 2: Attach (1) Fort Rail 'N' to each set of Uprights 'A' by placing a 4 1/2" hex bolt with a fender washer through the bottom holes of 'N' and through the holes shown on 'A' and into a fender washer and lock nut on the other side.

Step 3: Attach Single Beam Mounting Rail 'D' to the set of Uprights shown by placing a 6 1/2" hex bolt with 5/16" flat washer through the holes shown on the Rail, then through the holes shown on the Uprights and into a fender washer and lock nut on the backside.

Step 4: Make sure the (2) halves of the Frame are square and then finish attaching the boards 'N' & 'M' to the Uprights 'A' with 2" tapping screws and fender washers in the open holes on 'N' & 'M' as shown.

Step 5: Attach (1) Fort Ground Beam 'M' and (1) Sandbox Board 'N' to Uprights 'A', flush with the bottom of Uprights with 2" tapping screws and fender washers as shown.

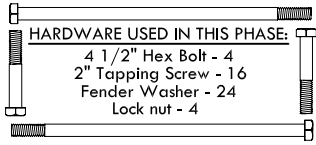


Phase 2

Frame Assembly

Items needed for this phase:

- (4) Fort Rails/Sandbox Boards 'N'
- (2) Fort Rails 'T'



Step 1: Connect both frame halves together with (2) Fort Rails 'N'.

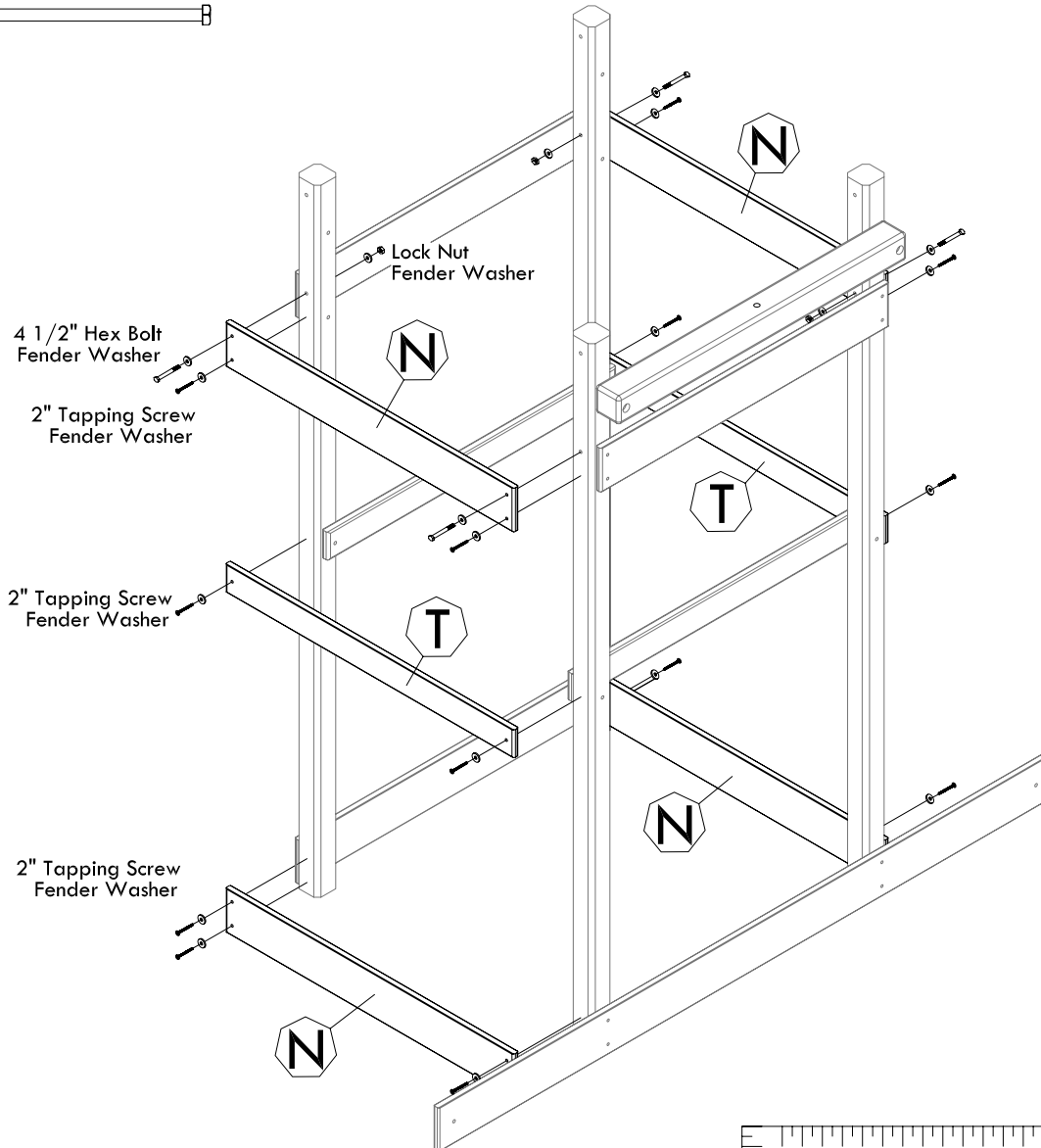
They will attach to the Uprights 'A' with 4 1/2" hex bolts, fender washers and lock nuts in the top holes of 'N' and 2" tapping screws with fender washers in the bottom holes.



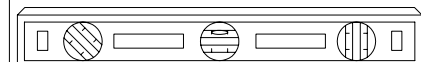
Note: Make sure the fort is level and square before proceeding.

Step 2: Attach (2) Fort Rails 'T' to the fort, even with the Floor Joists 'J' from Phase 1. These (2) boards will attach with 2" tapping screws with fender washers.

Step 3: Attach (2) Sandbox Boards 'N' to the bottom of the fort, flush with the ground, with (4) 2" tapping screws with fender washers each as shown.



Note: It is vital that the fort be level before and after this phase!

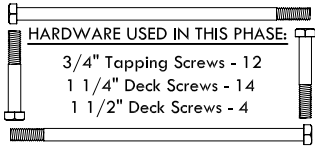


Phase 3

Floor Installation

Items needed for this phase:

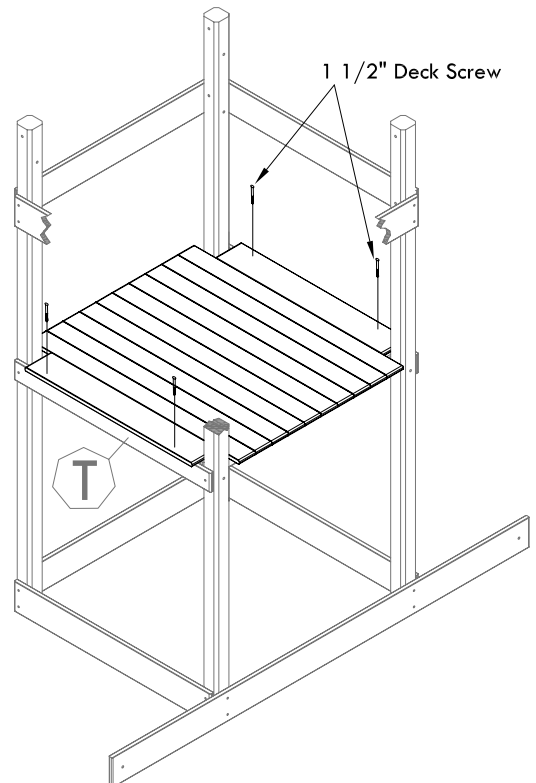
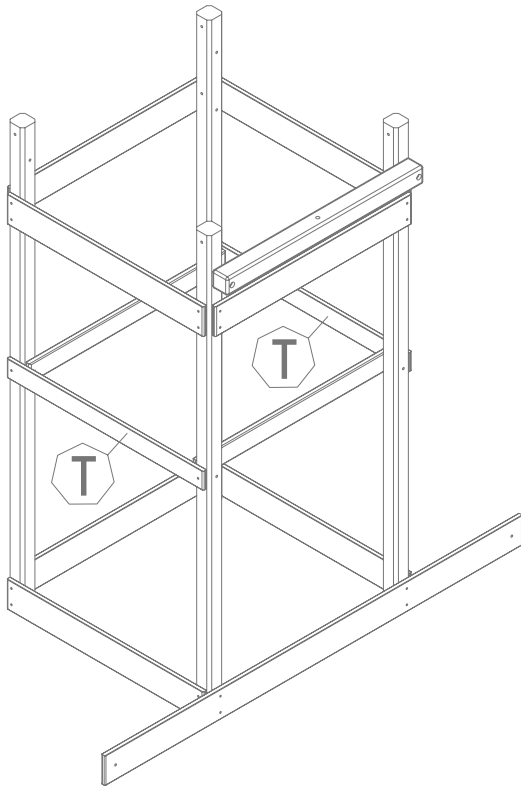
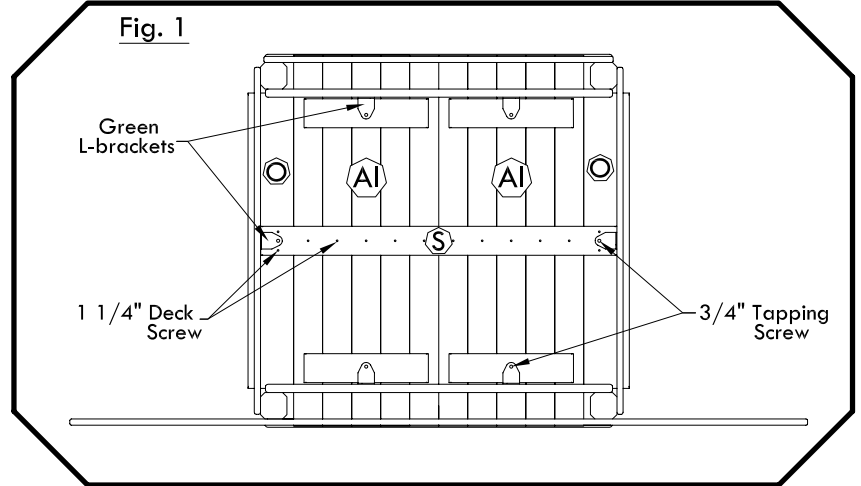
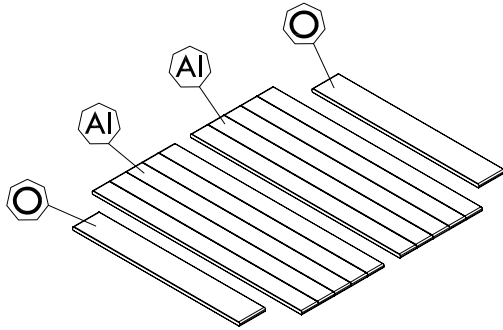
- (2) Floor Boards 'O'
- (1) Middle Floor Brace 'S'
- (2) Floor Panels 'AI'
- (6) Green L-Brackets



Step 1: Place Floor Boards 'O' & 'AI' on top of Floor Joists 'J' in pattern shown. One Floor Board 'O' will be placed on each end of Fort and attached to Fort Rails 'T' with 1 1/2" deck screws as shown.

Step 2: From underneath the Fort, secure the Floor Panels 'AI' to the Floor Joists 'J' with L-brackets and 3/4" tapping screws as shown. Each Panel will take (2) L-brackets and (4) Tapping Screws.

Step 3: From underneath the Fort, secure the Middle Floor Brace 'S' to the Fort Rails 'T' with (2) L-brackets and (4) 3/4" tapping screws, then secure the Brace 'S' to all Floor Boards with (2) 1 1/4" deck screws on each Board 'O' and (1) 1 1/4" deck screw for each floor panel board.



Phase 4

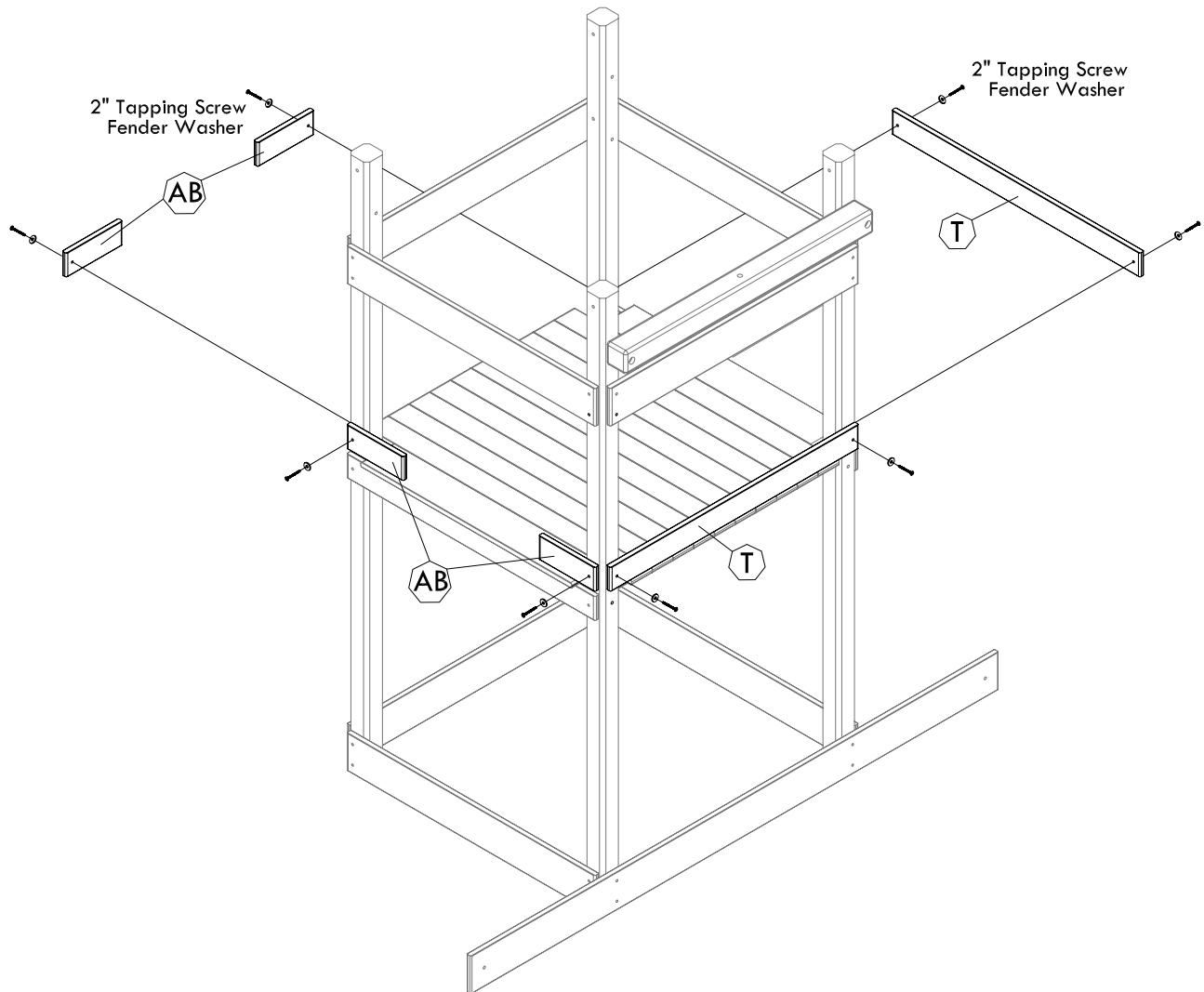
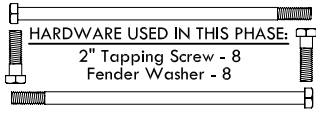
Wall Rail Attachment

Items needed for this phase:

- (2) Fort Rails 'T'
- (4) Wall Rails 'AB'

Step 1: Attach (1) Wall Rail 'T' to the Fort, on top of the Fort Floor, on the sides of the Fort where shown, with (2) 2" tapping screws with fender washers each.

Step 2: Attach (2) Wall Rails 'AB' to the other sides of Fort, on top of the Fort Floor, with (1) 2" tapping screw with fender washer each as shown.

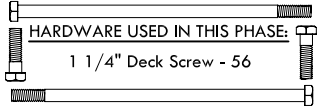


Phase 5

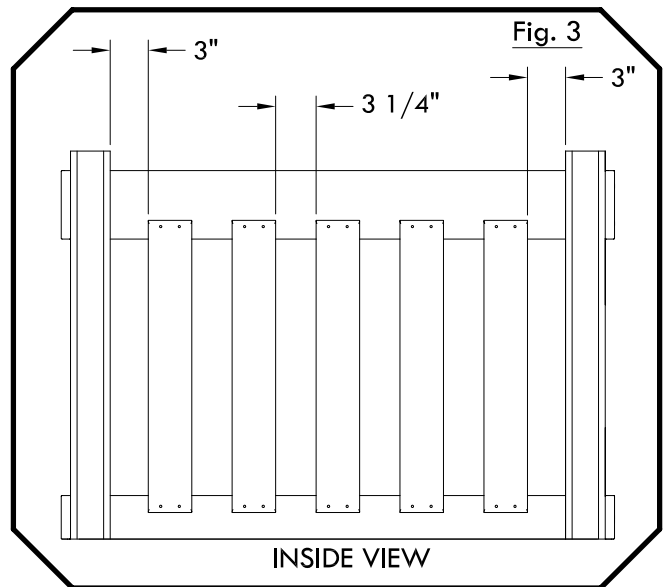
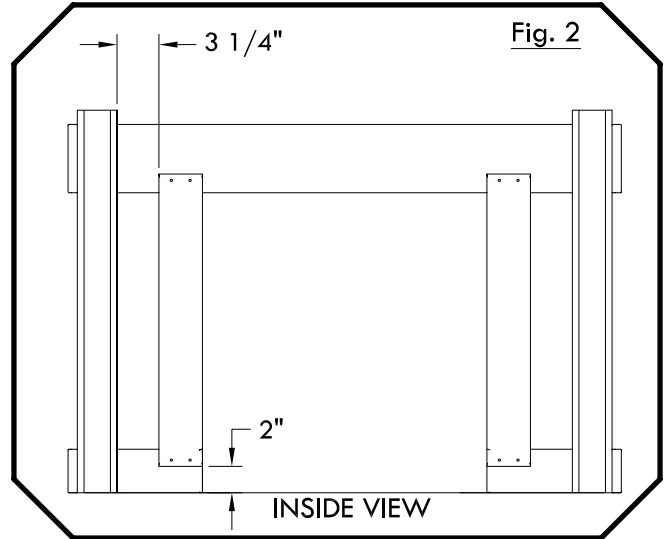
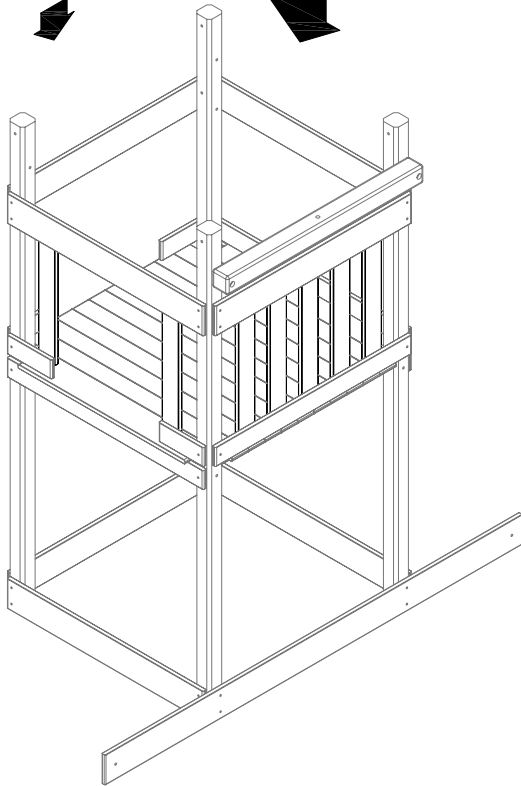
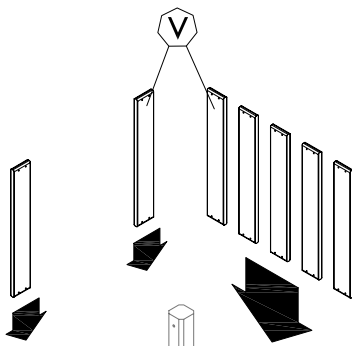
Wall Slat Attachment

Items needed for this phase:

(14) Wall Slats 'V'



Step 1: Attach Wall Slats 'V' to the Fort, 2" above the Fort Floor, where shown with (4) 1 1/4" deck screws each. See Fig 2 & 3 for spacing details.

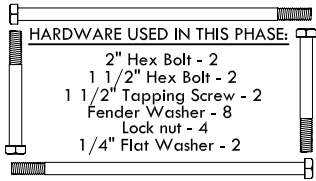


Phase 6

Fort Bracing

Items needed for this phase:

- (2) Plastic Angle Brace Brackets
- (2) Fort Angle Braces 'R'



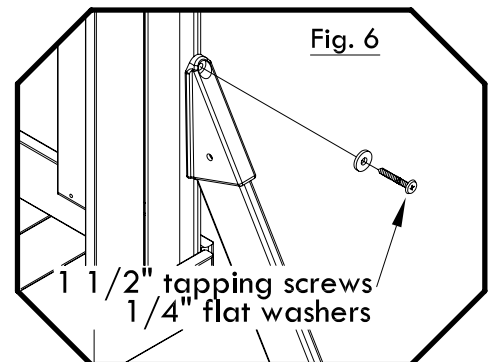
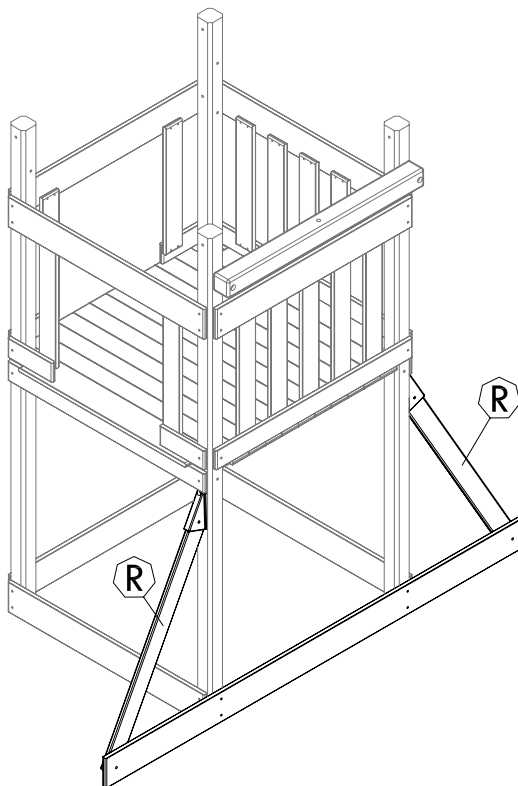
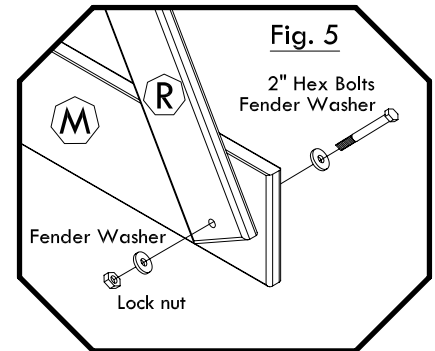
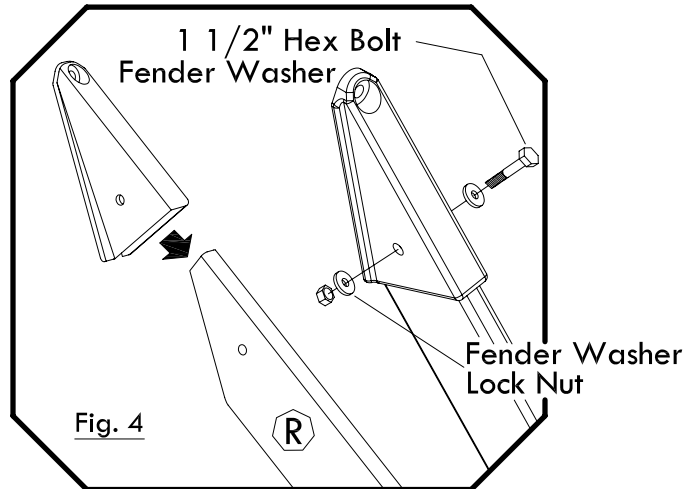
Note: Make sure the fort is level and square before proceeding.

Step 1: Angle Bracket Attachment:

- Place Angle Brace Brackets over angled cut end of Fort Angle Braces 'R' and line up holes.
- Attach Angle Brace Brackets to Fort Angle Braces 'R' with 1 1/2" hex bolts, fender washers, and lock nuts as shown in Fig. 4.

Step 2: Fort Angle Brace 'R' Attachment:

- Attach the square end of Fort Angle Braces 'R' to Fort Ground Beam 'M' with 2" hex bolts, fender washers and lock nuts as shown in Fig. 5.
- Make sure fort is level and square and attach Angle Brace Brackets to Fort Uprights 'A' with 1 1/2" tapping screws and 1/4" flat washers as shown in Fig. 6.



Phase 7

Rockwall Assembly

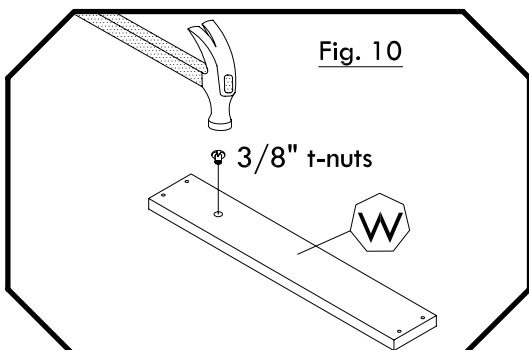
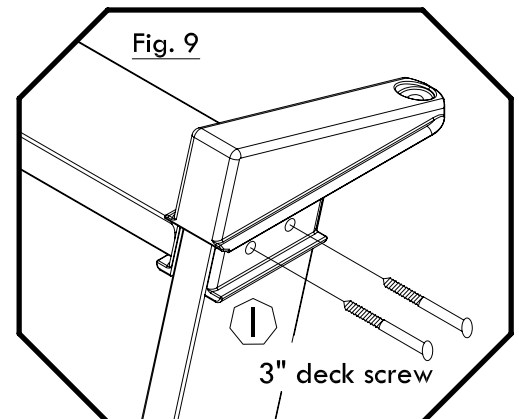
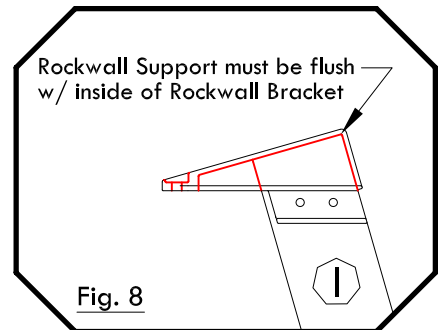
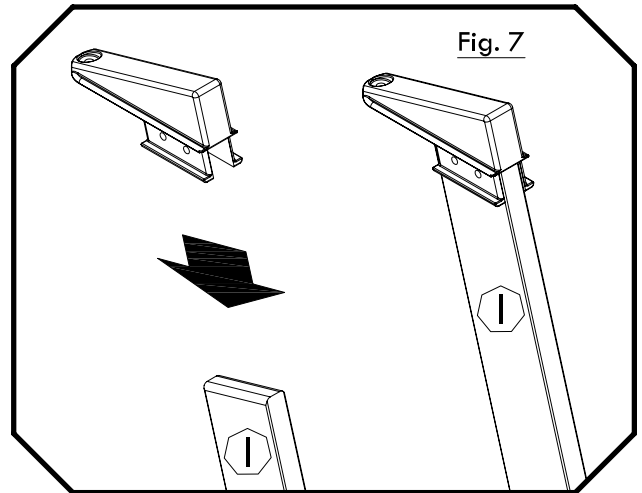
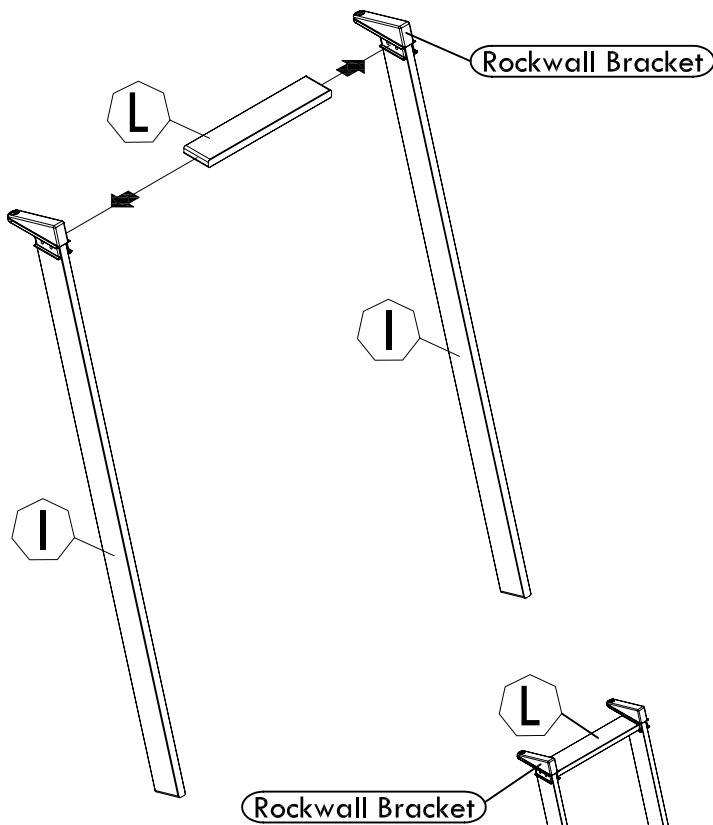
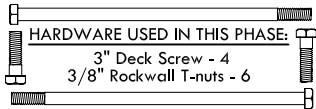
Items needed for this phase:

- (2) Rockwall Supports 'I'
- (1) Rockwall Cap Board 'L'
- (6) Rockwall Boards 'W'
- (2) Plastic Rockwall Brackets

Step 1: Place (1) Rockwall Bracket on the end of each Rockwall Rail 'I'. The end of the rail 'I' must be flush with the inside of the Rockwall Bracket. (see Fig. 7 & 8)

Step 2: Attach Rockwall Brackets to Rockwall Rails 'I' and Rockwall Cap Board 'L' by running 3" deck screws through Brackets and Rails 'I' and into Cap Board 'L'. (see Fig. 9) Keep Bracket flush with the end of Rail 'I' while attaching. (see Fig. 8)

Step 3: Hammer rockwall t-nuts into the back of each Rockwall Board 'W' as shown in Fig. 10.



Phase 8

Rockwall Assembly/Attachment

Items needed for this phase:

- Phase 7 Rockwall Assembly
 (6) Rockwall Boards 'W'
 (2) Rockwall Boards 'X'
 (6) Climbing Rocks

HARDWARE USED IN THIS PHASE:	
2	1/4" Deck Screw - 32
1	1/4" Machine Truss Screw - 2
1	1/4" Split Washer - 2
1	1/4" Flat Washer - 2
1	1/4" T-nut - 2
3	8" Flathead Rockwall Bolt - 6
1	1/4" Deck Screw - 6

Step 1: Attach (1) Rockwall Board 'W' to Supports 'I', flush with the top of Cap Board 'L' and 'Lip' on bracket, with 2 1/4" deck screws through pre-drilled holes. (t-nut from phase 7 will be on backside)

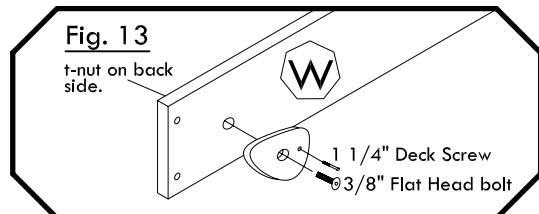
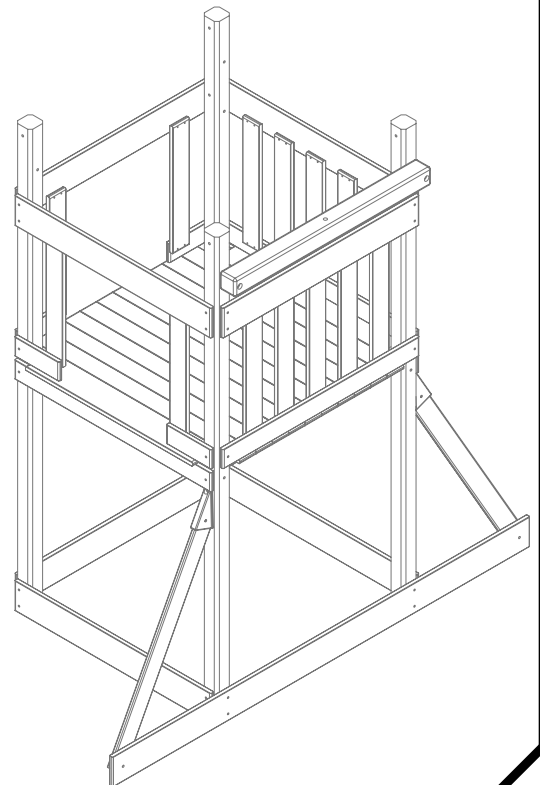
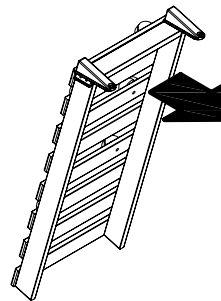
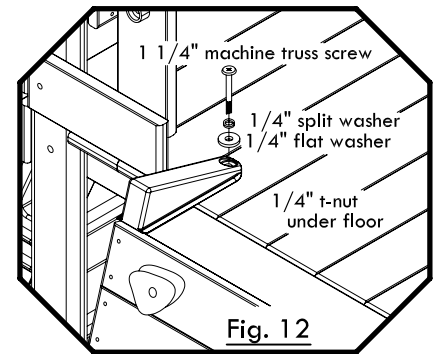
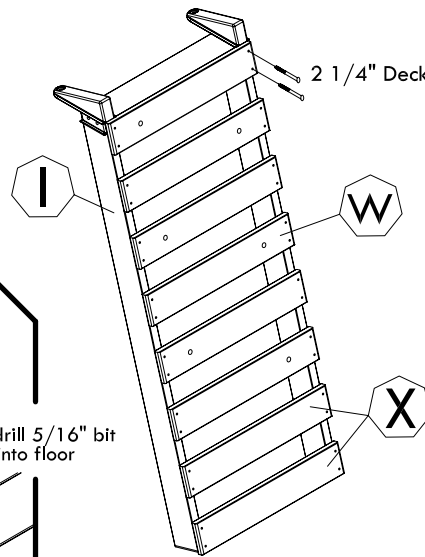
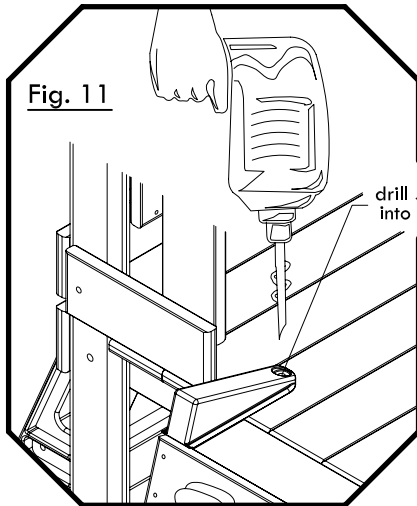
Step 2: Attach remaining Rockwall Boards 'W' & 'X' to Rockwall Supports 'I', spaced equally 2 7/8" apart and placed so that the Rock holes alternate and DO NOT form a straight line, with 2 1/4" deck screws. Boards 'X' will be the bottom 2 boards on the Rockwall Assembly.

Step 3: Using the 3/8" flathead bolts and 1 1/4" deck screws, attach Climbing Rocks to Rockwall Boards as shown (see Fig.13)

Step 4: Center Rockwall Assembly in opening shown. Make sure bottom of Rockwall Bracket is flush with top of floor and edge of Rockwall Cap Board is up against edge of floor.

Step 5: Using a drill with a 5/16" bit, drill attachment holes in the fort floor by using the Rockwall Brackets as a guide. (See Fig. 11)

Step 6: Attach Rockwall Assembly to Fort with hardware shown in Fig 12. The T-nut will be placed into the drilled hole from underneath the fort floor.

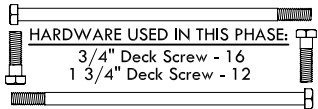


Phase 9

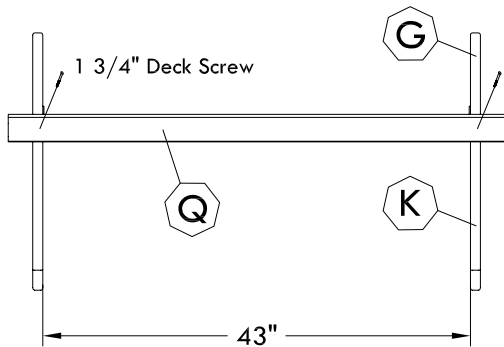
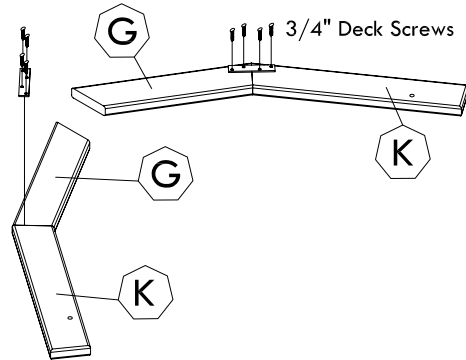
Roof Assembly

Items needed for this phase:

- (4) Roof Supports 'G'
- (4) Roof Supports 'K'
- (2) Roof Boards 'Q'
- (2) Roof Panels 'AG'
- (4) Metal Screw Plates



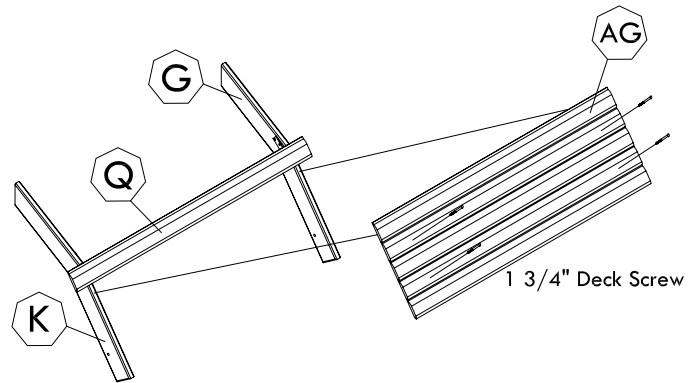
Step 1: Place Roof Supports 'G' & 'K' on a flat, level surface and attach (1) 'G' to (1) 'K' together with screw plate and (4) 3/4" deck screws each. Place the plate as close to the edge of the supports as possible. You will need to assemble (2) support assemblies to proceed to Step 2, and need a total of (4) for the complete roof.



Step 2: Place the Roof Support Assemblies on edge 43" apart and attach Roof Board 'Q' to the Supports 'K' with (2) 1 3/4" deck screws as shown. The top edge of 'Q' shown be even with the top edge of 'K'.

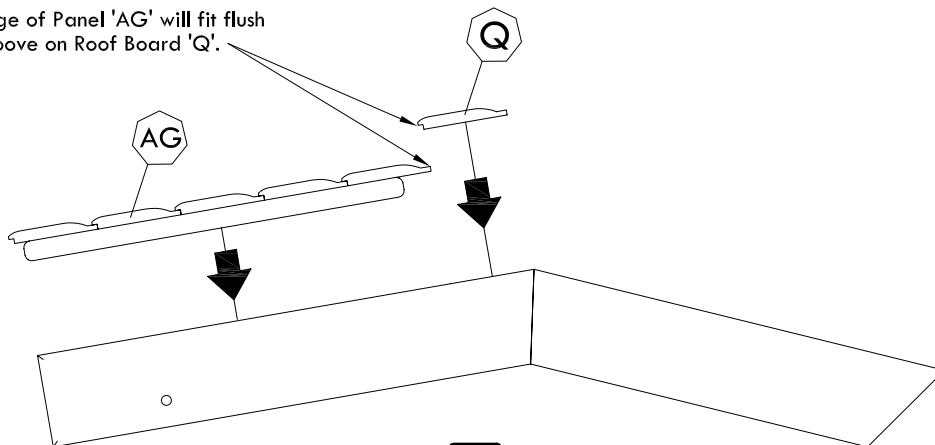
Note: The Metal Plates should be facing inside.

Step 3: Place the top edge of (1) Roof Panel 'AG' into the groove on the bottom of Roof Board 'Q' (see detail below) and attach Panel to Roof Support 'K' with (4) 1 3/4" deck screws as shown. (make sure you maintain the 43" dimension from step 2 above)



Note: Be careful when attaching boards, you may want to place some extra boards under the support assembly when attaching panel, so that the support assembly wont break.

Note: Top Edge of Panel 'AG' will fit flush into groove on Roof Board 'Q'.

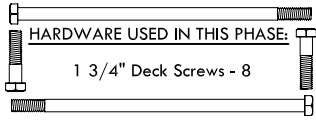


Phase 10

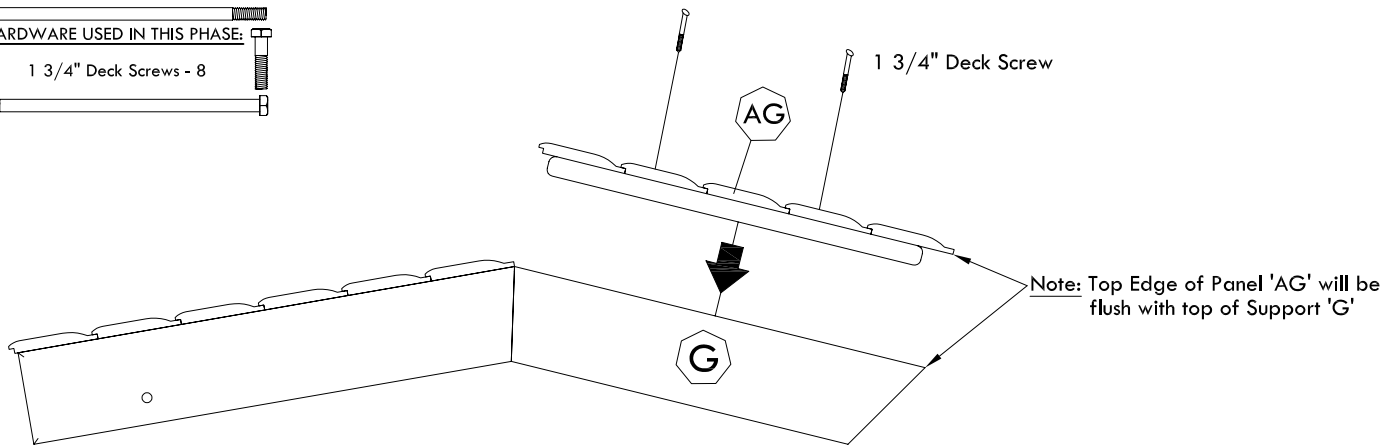
Roof Assembly

Items needed for this phase:

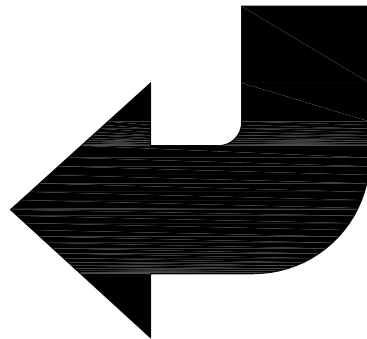
Phase 9 Roof Assembly
(2) Roof Panels 'AG'



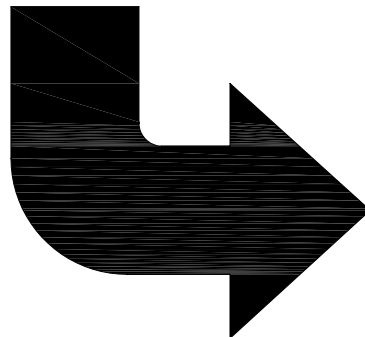
Step 1: Attach (1) Roof Panel 'AG' to the top of the Support assemblies with (4) 1 3/4" deck screws as shown. Make sure that the top edges of 'AG' and 'G' line up and that you maintain the 43" dimension from Phase 9.



Step 2: Repeat Phases 9 and 10 to assemble the second Roof Half.



Step 3: After both Roof Halves have been assembled, proceed to Phase 11.

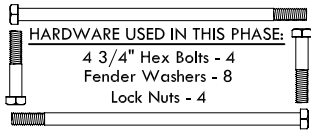


Phase 11

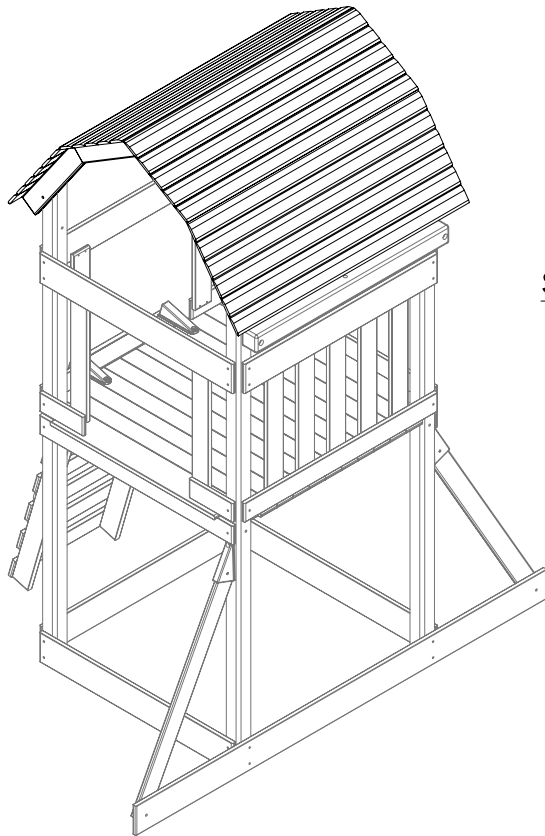
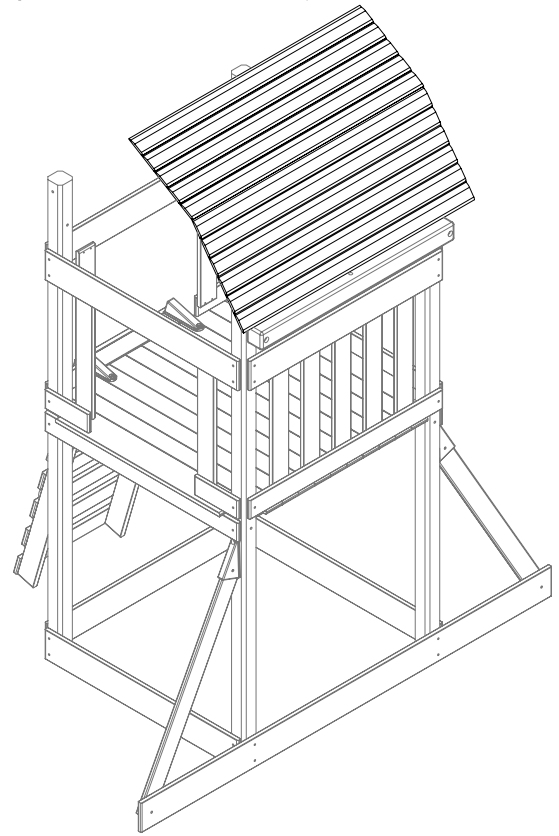
Roof Assembly

Items needed for this phase:

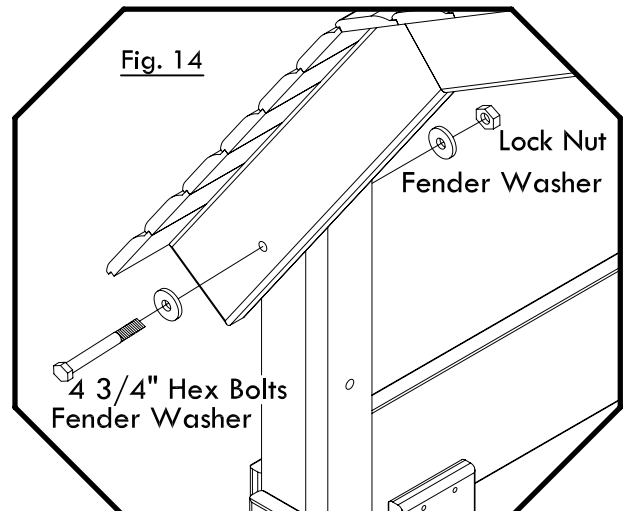
(2) Phase 10 Roof Assemblies



Step 1: Carefully lift (1) Roof Half up to the top of the Fort and attach Roof Support 'K' to the Fort Uprights with 4 3/4" hex bolts, fender washers and lock nuts as shown in detail below. (note: this step will require at least 2 adults.)



Step 2: Repeat Step 1 to attach remaining Roof Half.

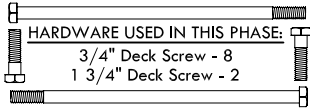


Phase 12

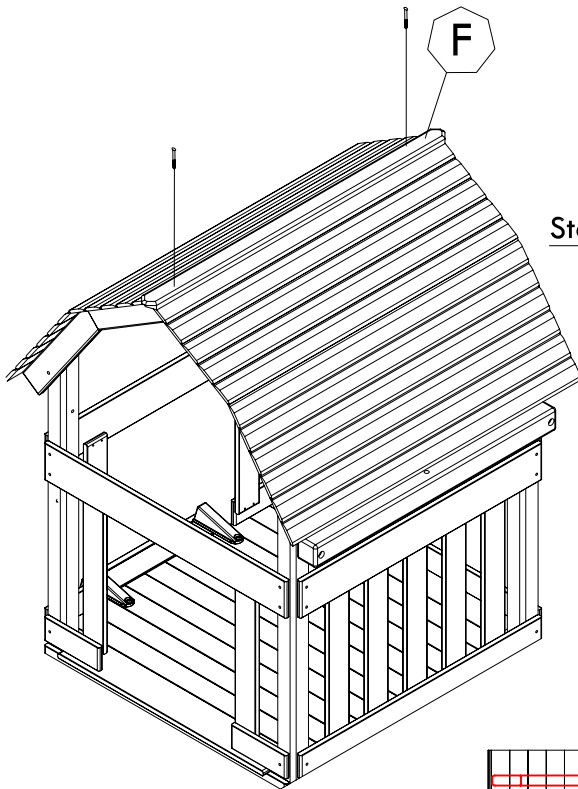
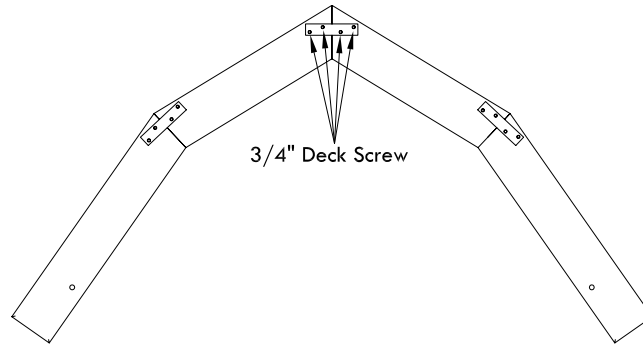
Roof Assembly

Items needed for this phase:

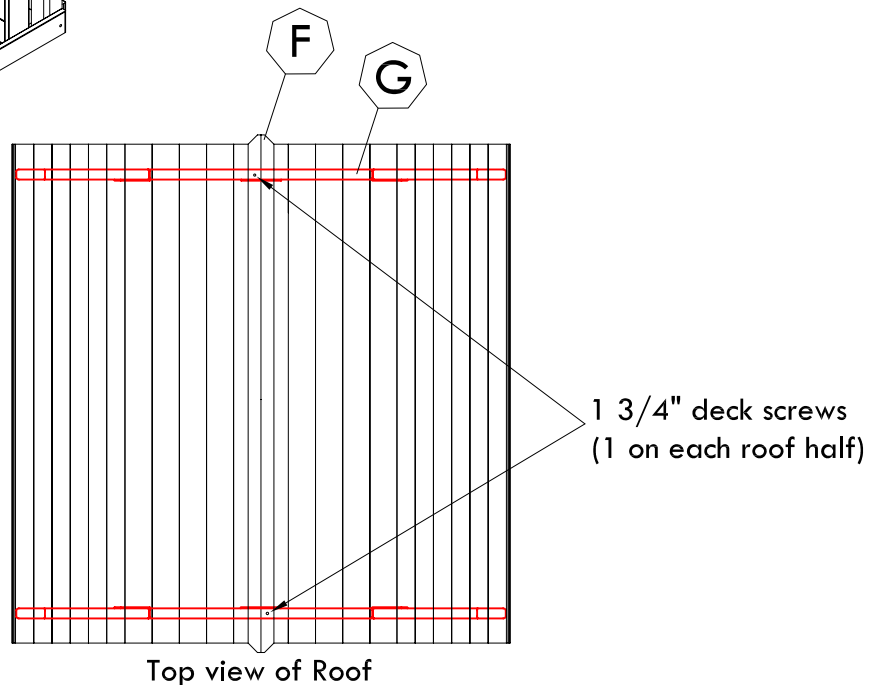
- (1) Roof Ridge Cap 'F'
- (2) Metal Screw Plates



Step 1: Connect the (2) Roof Halves together with (1) screw plate and (4) $\frac{3}{4}$ " deck screws per side as shown.



Step 2: Place the Roof Ridge Cap 'F' on top of the roof at the peak and center the cap on the roof. Attach the cap to the roof by running (2) $1\frac{3}{4}$ " deck screws through the cap and into Roof Support 'G'. You will use (1) screw on each end of the cap for a total of (2) screws.



Phase 13

Cabin Wall Assembly

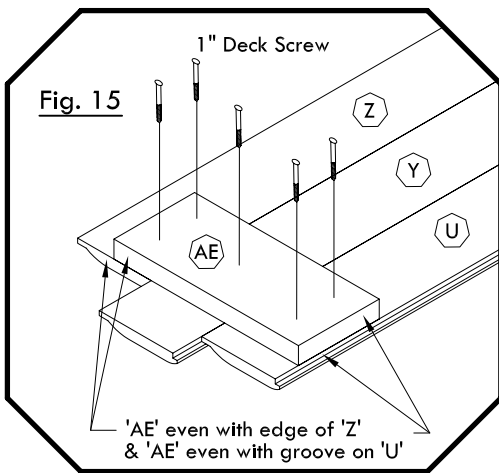
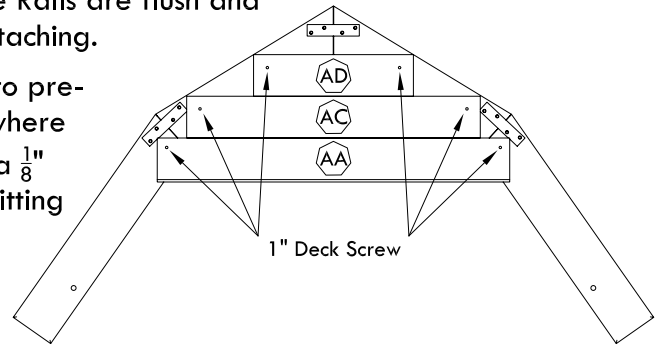
Items needed for this phase:

- (2) Cabin Rails 'U'
- (2) Cabin Rails 'Y'
- (2) Cabin Rails 'Z'
- (2) Cabin Rails 'AA'
- (2) Cabin Rails 'AC'
- (2) Cabin Rails 'AD'
- (4) Cabin Rails 'AE'
- (1) Logo Frame

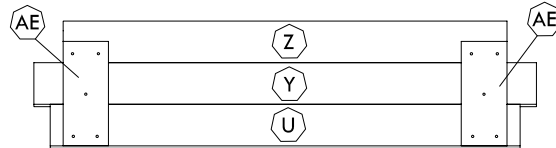


Step 1: Attach Cabin Rails 'AA', 'AC' & 'AD' to the inside of the Roof Supports 'G' & 'K' with (2) 1" deck screws as shown. Make sure the Rails are flush and level when attaching.

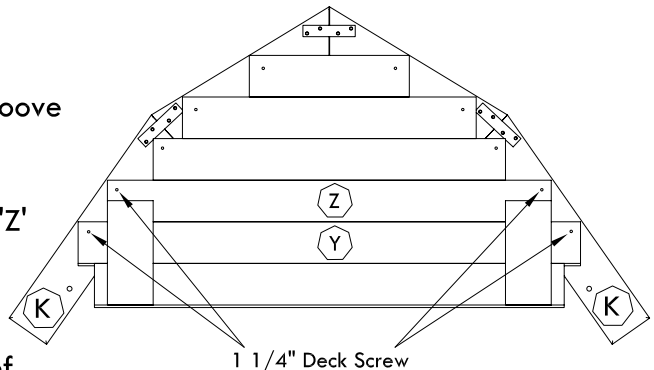
Note: You may want to pre-drill the holes where attaching with a $\frac{1}{8}$ " bit to avoid splitting



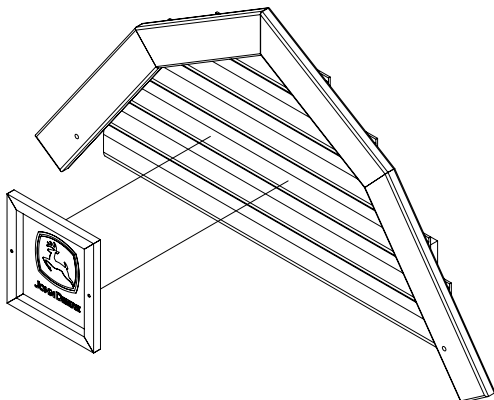
Step 2: Lay boards 'U', 'Y' & 'Z' on a flat surface and center them as shown. Connect the boards together by placing (1) Cleat 'AE' on each side, even with the edge of board 'Z' & groove on board 'U', and attaching with (5) 1" deck screws as shown.



Step 3: Place the Step 2 Assembly up flush into the groove on the back of board 'AA' from Step 1 and attach assembly to Roof Supports 'K' with a $1\frac{1}{4}$ " deck screw into each end of boards 'Y' & 'Z' as shown.



Step 4: Repeat Steps 1-3 for the other side of the roof.



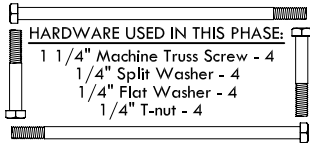
Step 5: Attach the Logo Frame to the roof side above the opening for the slide, centered on board 'Z' as shown, with (2) 1" deck screws.

Phase 14

Hand Grip Installation

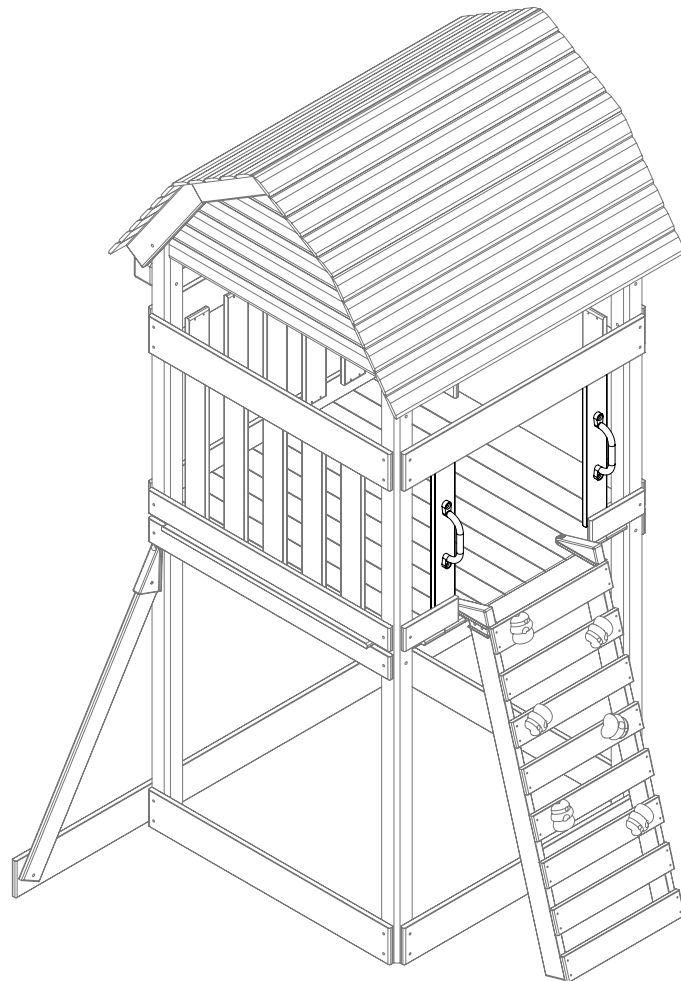
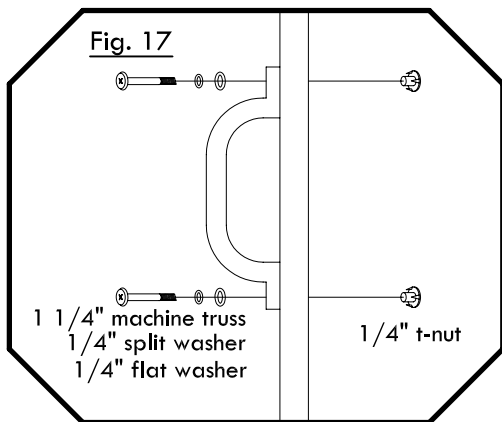
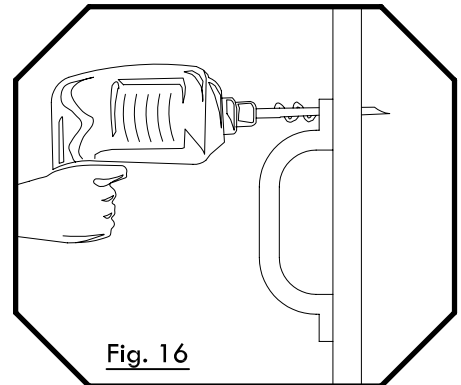
Items needed for this phase:

(2) Plastic Hand Grips



Step 1: The two Wall Slats on the opening shown below will take hand grips. Center the hand grips on each Wall Slat, and by using the holes in the Grips as a guide, drill 5/16" holes through the Wall Slats. (see Fig. 16)

Step 2: Attach the Hand Grips to the drilled Wall Slats with a 1 1/4" machine truss screw with a 1/4" split washer, and 1/4" flat washers, through the grip and slat and into a 1/4" t-nut on the back of the slat. You must hammer the t-nuts into the drilled holes before inserting the machine truss screw. (see Fig. 17)

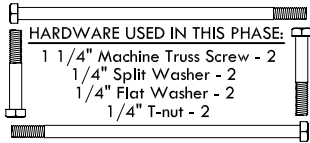


Phase 15

Slide Installation

Items needed for this phase:

(1) Slide

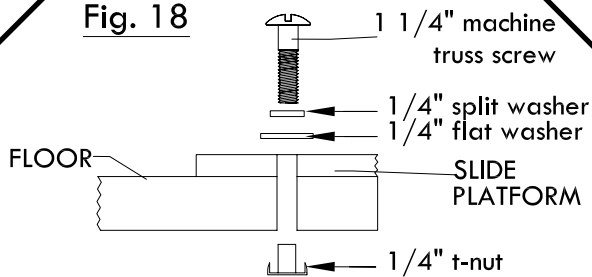


Step 1: Center the slide in the opening.

Step 2: Using a drill with a 5/16" bit, drill a hole through the indentions on the slide and through the fort floor.

Step 3: Insert a 1/4" T-nut under the floor into drilled hole, and attach slide with (4) 1/4"x1 1/4" Machine truss screw and washers as shown in Fig. 18 below.

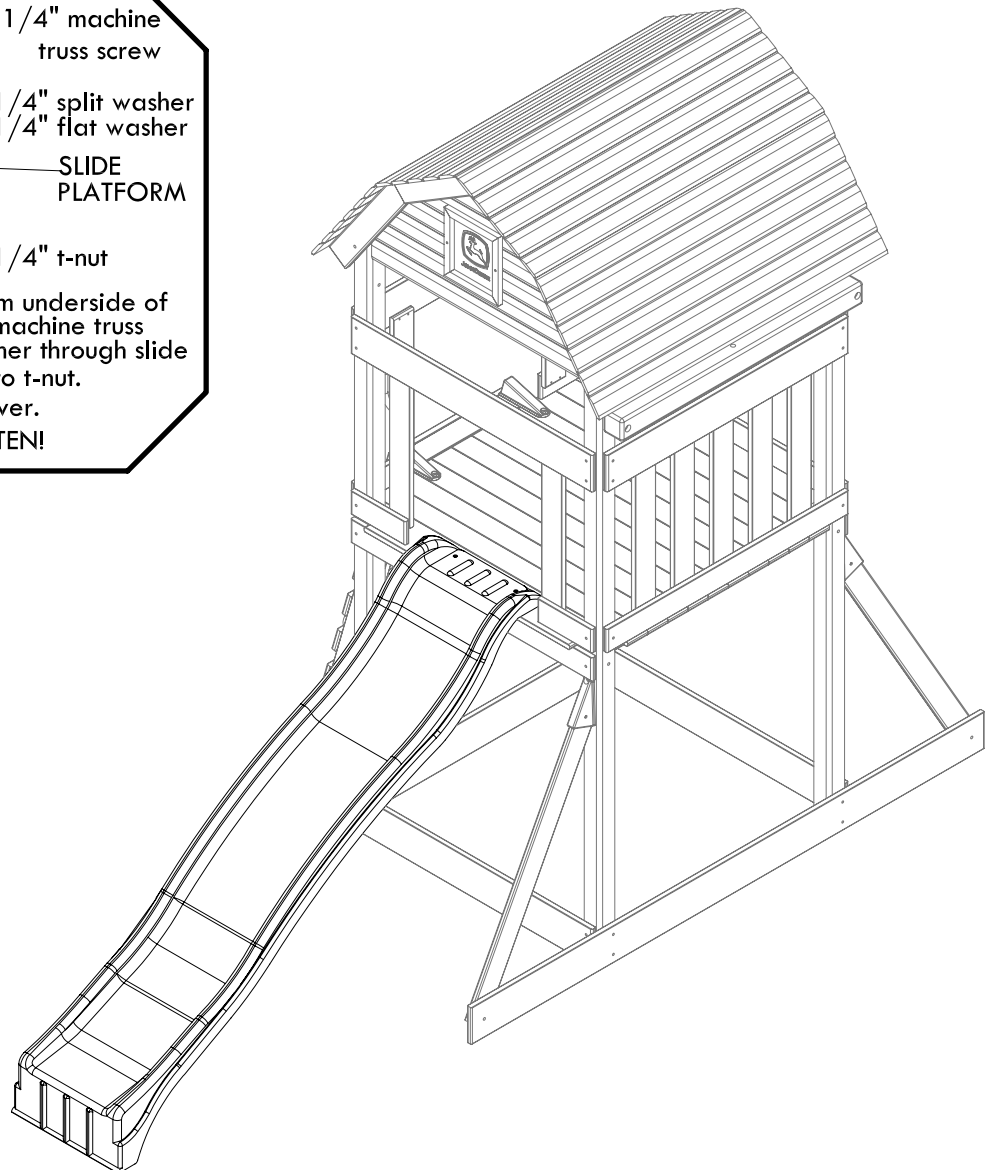
Fig. 18



Hammer t-nut in drilled hole from underside of floor. Place (4) 1/4 x 1 1/4" machine truss screw with 1/4" split & flat washer through slide and drilled hole and into t-nut.

Secure with screwdriver.

DO NOT OVER TIGHTEN!



Phase 16

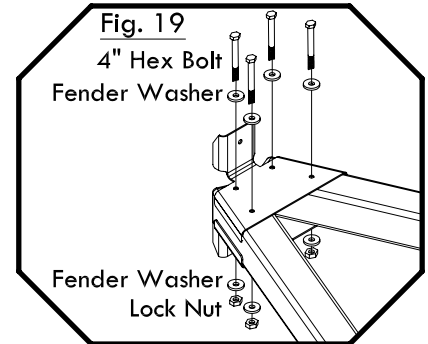
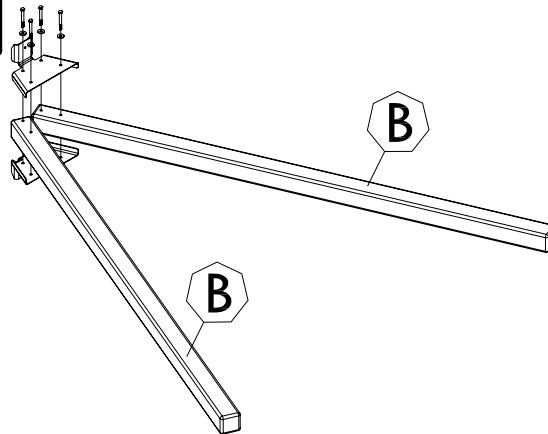
A-Frame Assembly

Items needed for this phase:

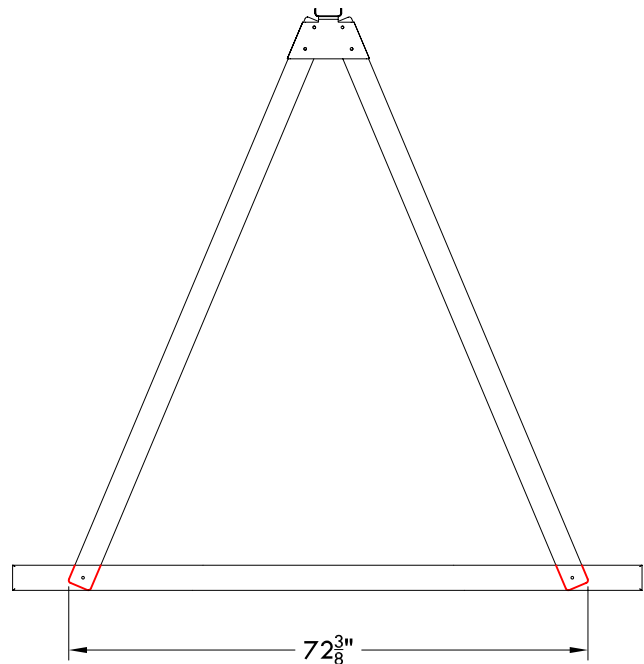
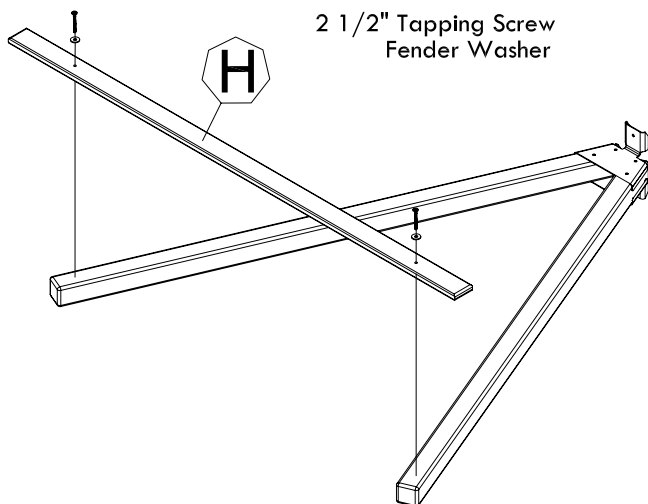
- (2) Single Beam A-Frame Legs 'B'
- (2) A-Frame Support 'H'
- (2) Metal A-Frame Brackets

HARDWARE USED IN THIS PHASE:	
4" Hex Bolt	- 4
2 1/2" Tapping Screw	- 2
Fender Washer	- 10
Lock Nut	- 4

Step 1: Place (1) A-Frame Bracket on each side of the Single Beam A-Frame Legs 'B' and attach by running a 4" hex bolt with a fender washer through (1) Bracket then through the Legs 'B' and then through the other Bracket and into a Fender Washer and Lock Nut on the other side as shown. (see Fig. 19)



Step 2: Make sure the Legs of the A-Frame are $72\frac{3}{8}$ " apart as shown and attach A-Frame Support 'H' flush with $2\frac{1}{2}$ " tapping screws and fender washers as shown.



Phase 17

Single Beam Assembly

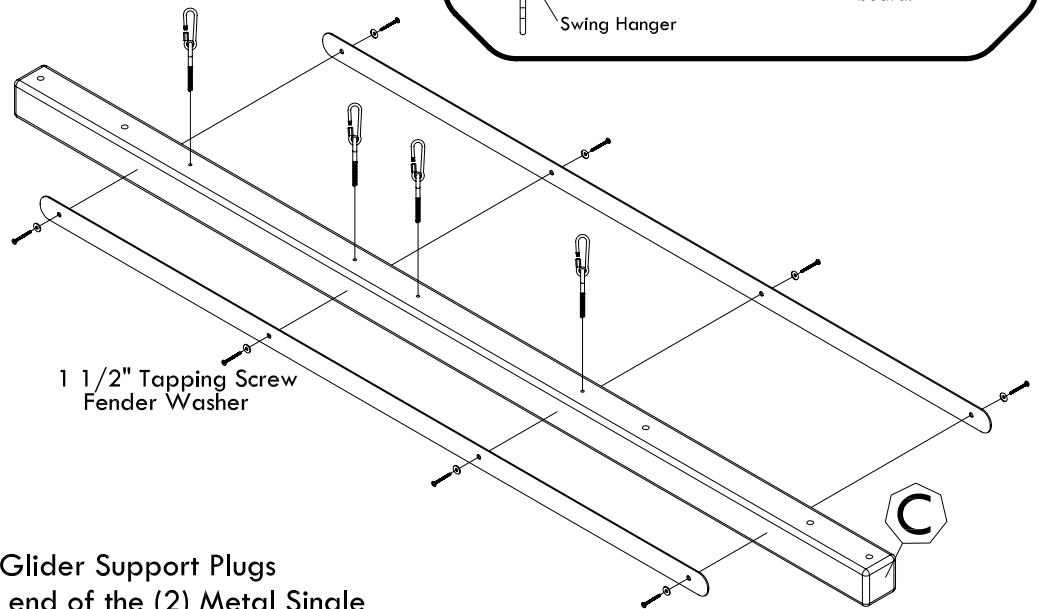
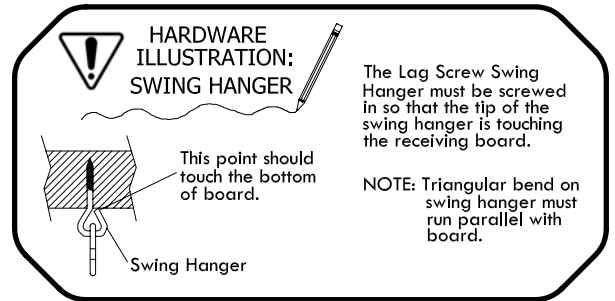
Items needed for this phase:

- (1) Single Beam Top Beam 'C'
- (2) Metal Single Beam Strips
- (2) Single Beam Glider Supports
- (4) Glider Support Plugs

HARDWARE USED IN THIS PHASE:	
Lag Screw Swing Hangers - 4	
5" Hex Bolts - 2	
2 1/2" Tapping Screws - 4	
Lock Nut - 2	
Fender Washer - 16	
1 1/2" Tapping Screws - 8	

Step 1: Screw lag screw swing hangers into pilot holes on Single Beam Top Beam as shown below.

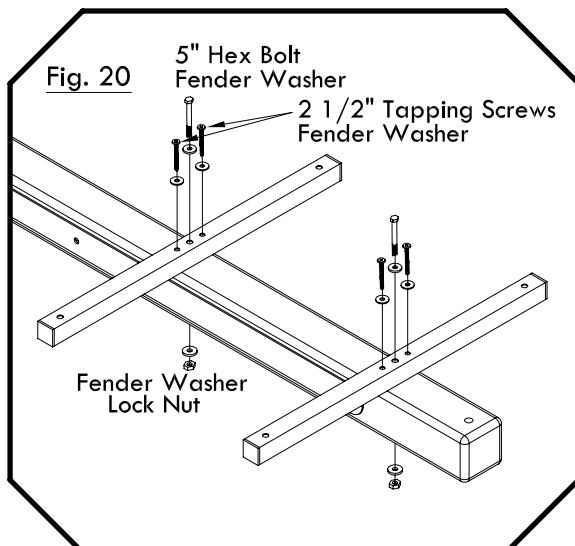
Step 2: Attach Metal Single Beam Strip centered on the Single Beam Top Beam 'C' with 1 1/2" Tapping Screws and Fender Washers as shown below.



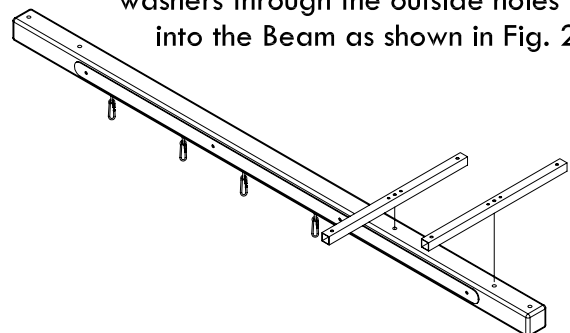
Step 3: Hammer Glider Support Plugs into each end of the (2) Metal Single Beam Supports.



Step 4: Attach the (2) Metal Glider Supports to the top of the Single Beam Top Beam with a 5" hex bolt and fender washer through the center holes and into a fender washer and lock nut on bottom of the Beam.



Step 5: Make sure the Glider Supports are square with the Beam and finish attaching them by running 2 1/2" tapping screws with fender washers through the outside holes and into the Beam as shown in Fig. 20.

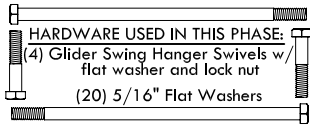


Phase 18

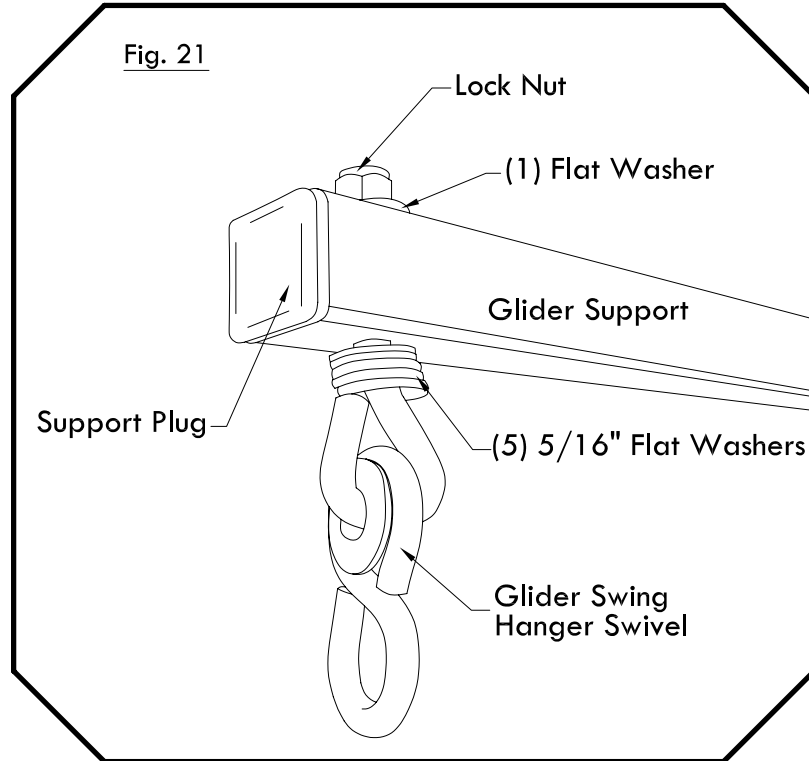
Glider Swing Hanger Attachment

Items needed for this phase:

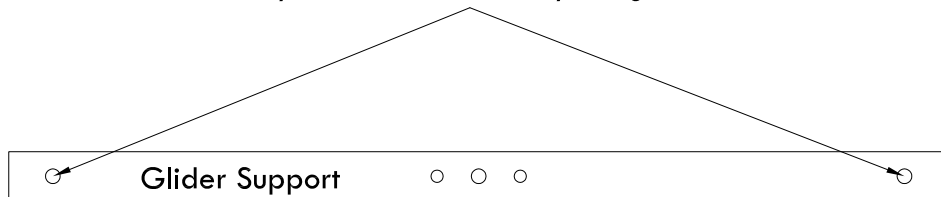
(2) Single Beam Glider Supports



Step 1: Insert (1) Single Beam Swing Hanger with (5) flat washers through each end hole on each Glider Support and attach with a 5/16" Flat Washer and Lock Nut on the top side. (See Fig. 21 below)



Note: These end hole on Glider Support will take Swing Hangers. Make sure they are installed so they hang on the same side.

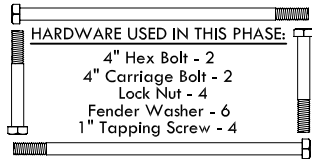


Phase 19

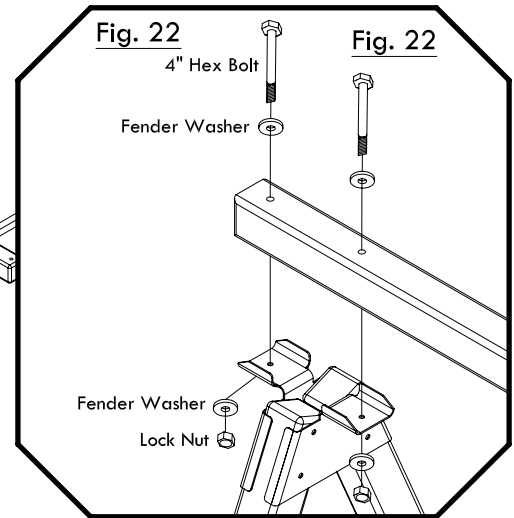
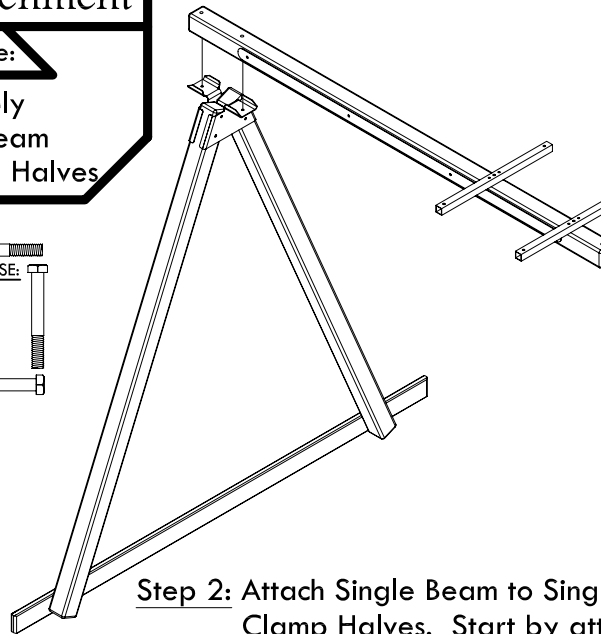
Single Beam Attachment

Items needed for this phase:

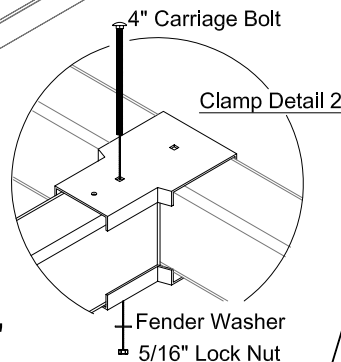
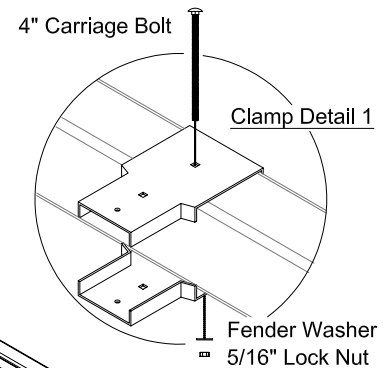
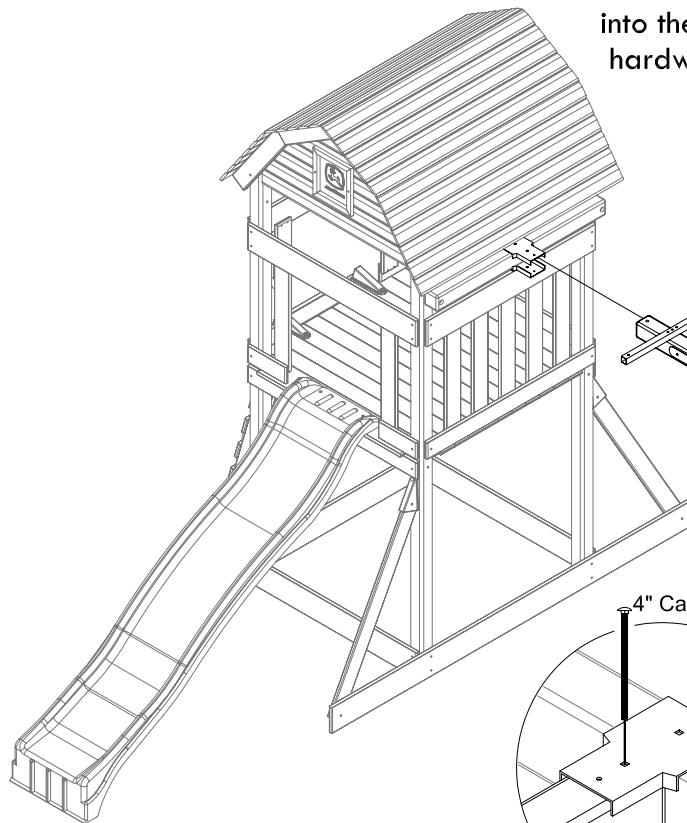
A-Frame Assembly
Single Beam Top Beam
(2) Single Beam Clamp Halves



Step 1: Attach Single Beam Top Beam to the top of the A-Frame Bracket with 4" hex bolts, fender washers and lock nuts as shown in Fig 22. (make sure the Swing hangers are facing down.)



Step 2: Attach Single Beam to Single Beam Mounting Rail 'D' with the (2) Clamp Halves. Start by attaching the Clamp to Rail 'D' with 4" carriage bolts, fender washers and lock nuts as shown in Clamp Detail 1 below. After Clamp is attached to Rail, insert Single Beam into the open end of the clamp and attach with the same hardware as shown in Clamp Detail 2.



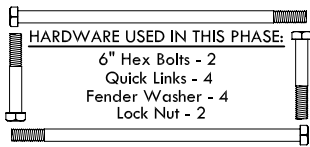
Step 3: Finish attaching clamp by running 1" tapping screws through each screw hole on the clamp and into rails. (2 screw holes per clamp half)

Phase 20

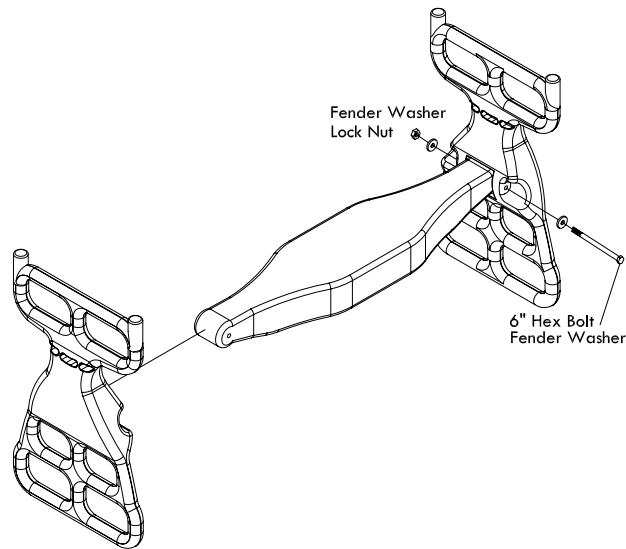
Glider/Swings Attachment

Items needed for this phase:

- (2) Glider Arms w/chain
- (1) Glider Seat



Step 1: Insert glider seat into glider arms & attach with (2) 6" hex bolts, (4) fender washers & (2) lock nuts as shown.



Step 2: Inspect all ends of your chain. If at least half of the last link is not exposed, trimming will be needed.

2a: Carefully trim plastic with scissors or knife to expose half of the last link as shown.

2b: Remove partial link and discard.

2c: Do this to ends of all chain.

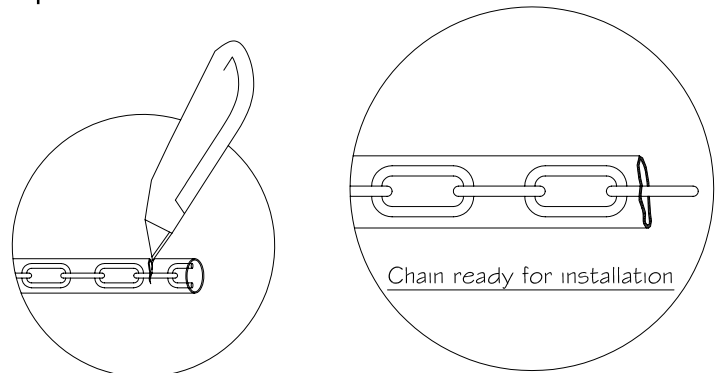
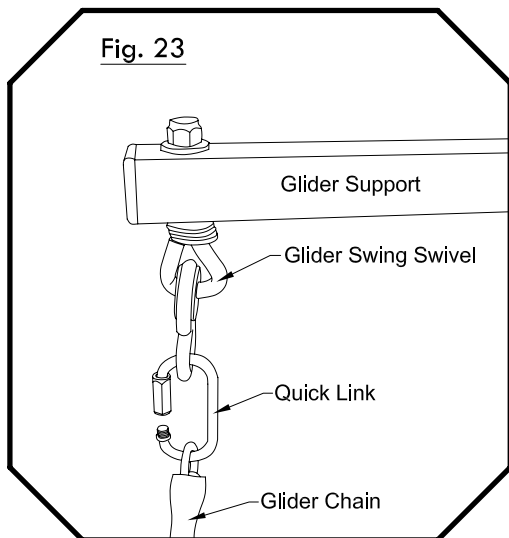


Fig. 23

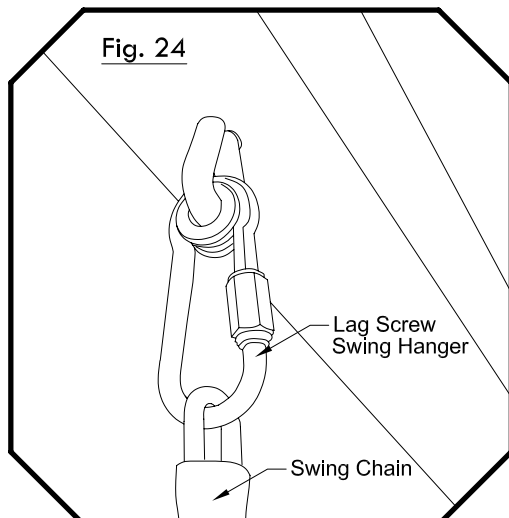


Step 3: After assembly is complete, attach glider assembly to swing hangers located on Single Beam Glider Supports. (see Fig. 23)

Note: Make sure the Quick Links are closed tightly with a wrench, so that they cannot be opened by hand.



Fig. 24



Step 4: Attach Swing Assemblies to swing hangers located on Single Beam Top Beam. (see Fig. 24)

Note: Make sure the Swing Hangers are closed tightly with a wrench, so that they cannot be opened by hand.



Note: You may need to adjust the height of the glider and swings with the chain so that they are at least 8" off the ground.



Phase 21

Picnic Table Assembly

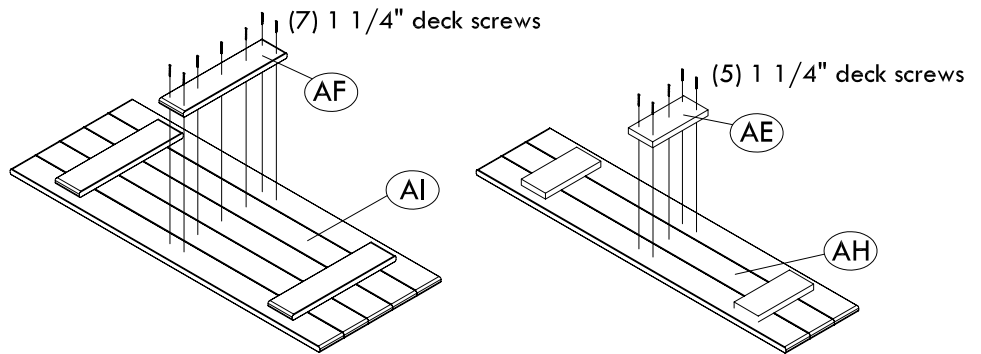
Items needed for this phase:

- (2) Fort Rails 'T'
- (1) Panel Cleat 'AE'
- (1) Panel Cleat 'AF'
- (1) Panel Assembly 'AH'
- (1) Panel Assembly 'AI'

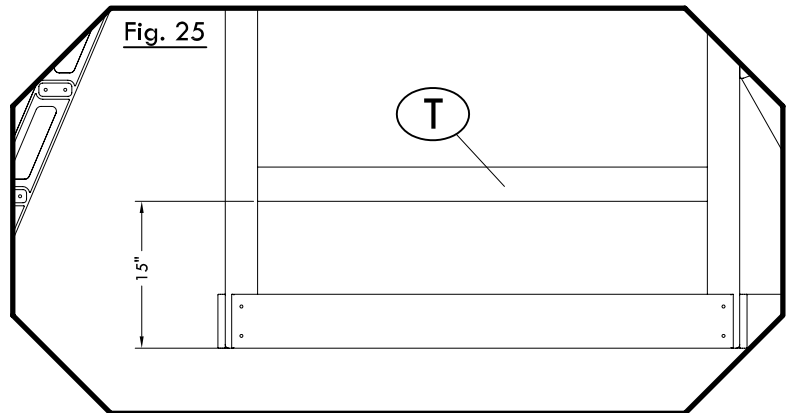
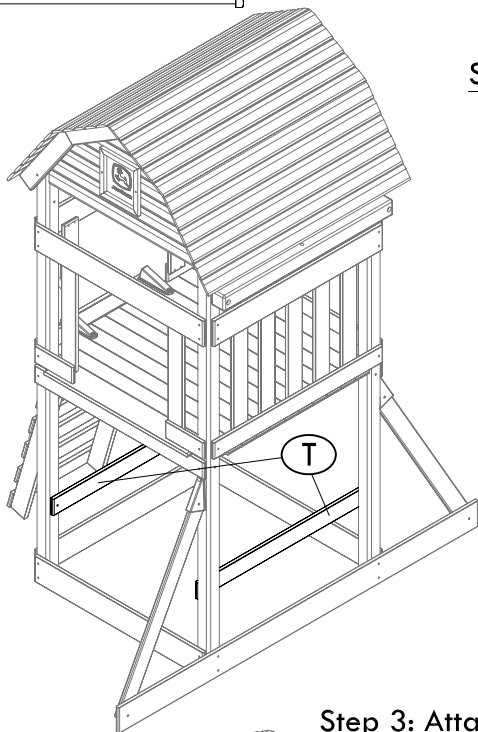
HARDWARE USED IN THIS PHASE:

- 2" Tapping Screw - 4
- Fender Washer - 4
- 1 1/2" Deck Screw - 4
- 1 1/4" Deck Screw - 12

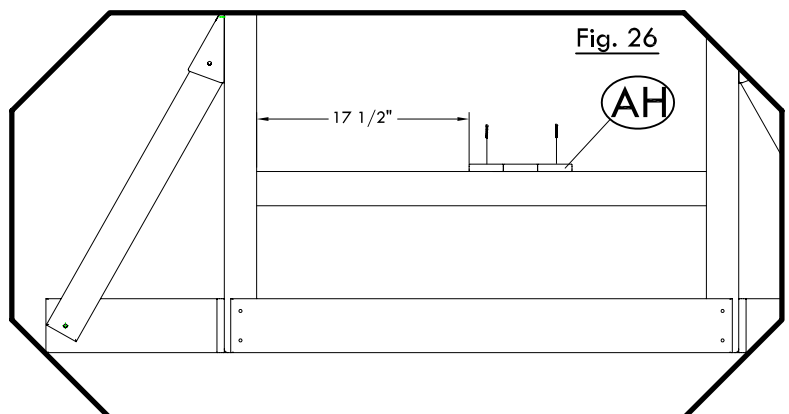
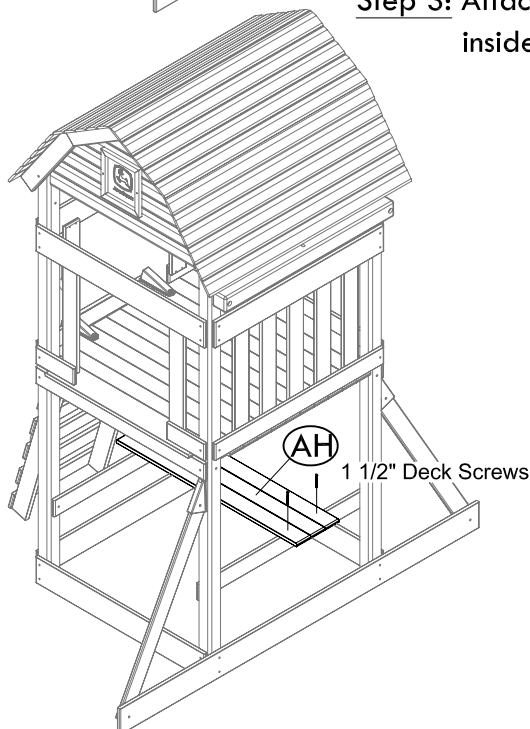
Step 1: Attach Panel Cleat 'AF' to the center of Picnic Panel 'AI' and Panel Cleat 'AE' to the center of Picnic Panel 'AH' with 1 1/4" deck screws as shown.



Step 2: Attach (2) Wall Rails 'T' to the Fort, 15" above the bottom of the uprights with 2" Tapping Screw & Fender Washers as shown in Fig 25.



Step 3: Attach (1) Picnic Panel 'AH' to the top of Wall Rails 'T', 17 1/2" from the inside edge of the Fort Uprights, with (4) 1 1/2" deck screws as shown.



Phase 22

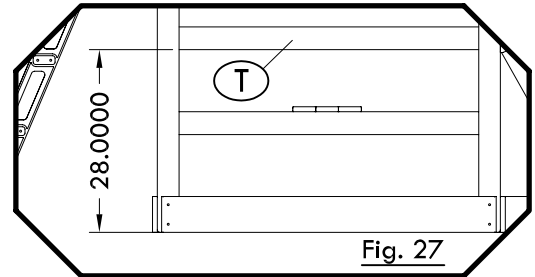
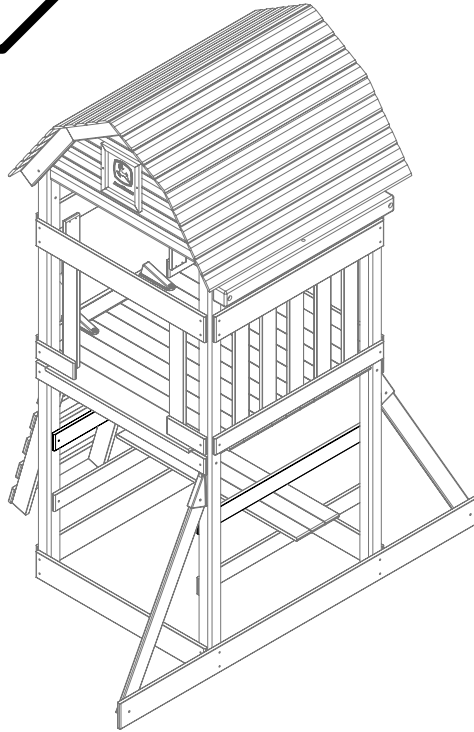
Picnic Table Assembly

Items needed for this phase:

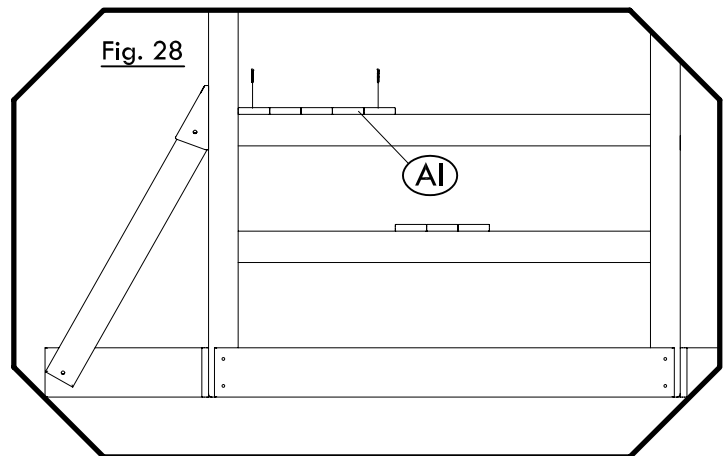
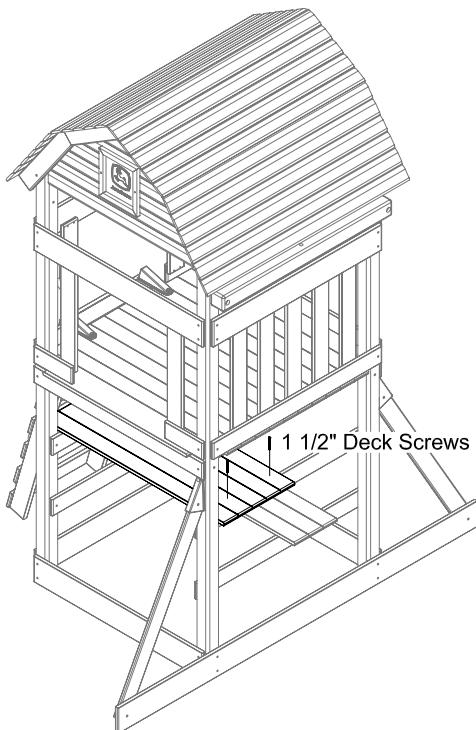
(2) Fort Rails 'T'
Panel Assembly 'A1'



Step 1: Attach (2) Wall Rails 'T' to the Fort, 28" above the bottom of the uprights with 2" Tapping Screw & Fender Washers as shown in Fig 27.



Step 2: Attach (1) Picnic Panel 'A1' to the top of Wall Rails 'T', flush with the inside edge of the Fort Uprights, with (4) 1 1/2" deck screws as shown.

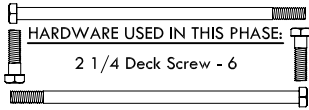


Phase 23

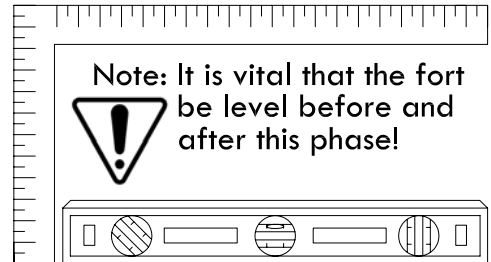
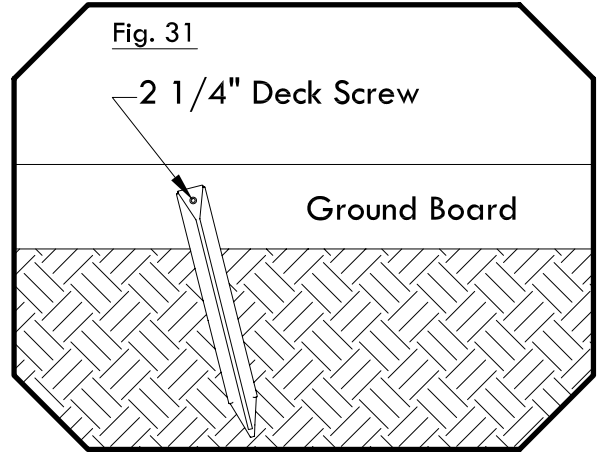
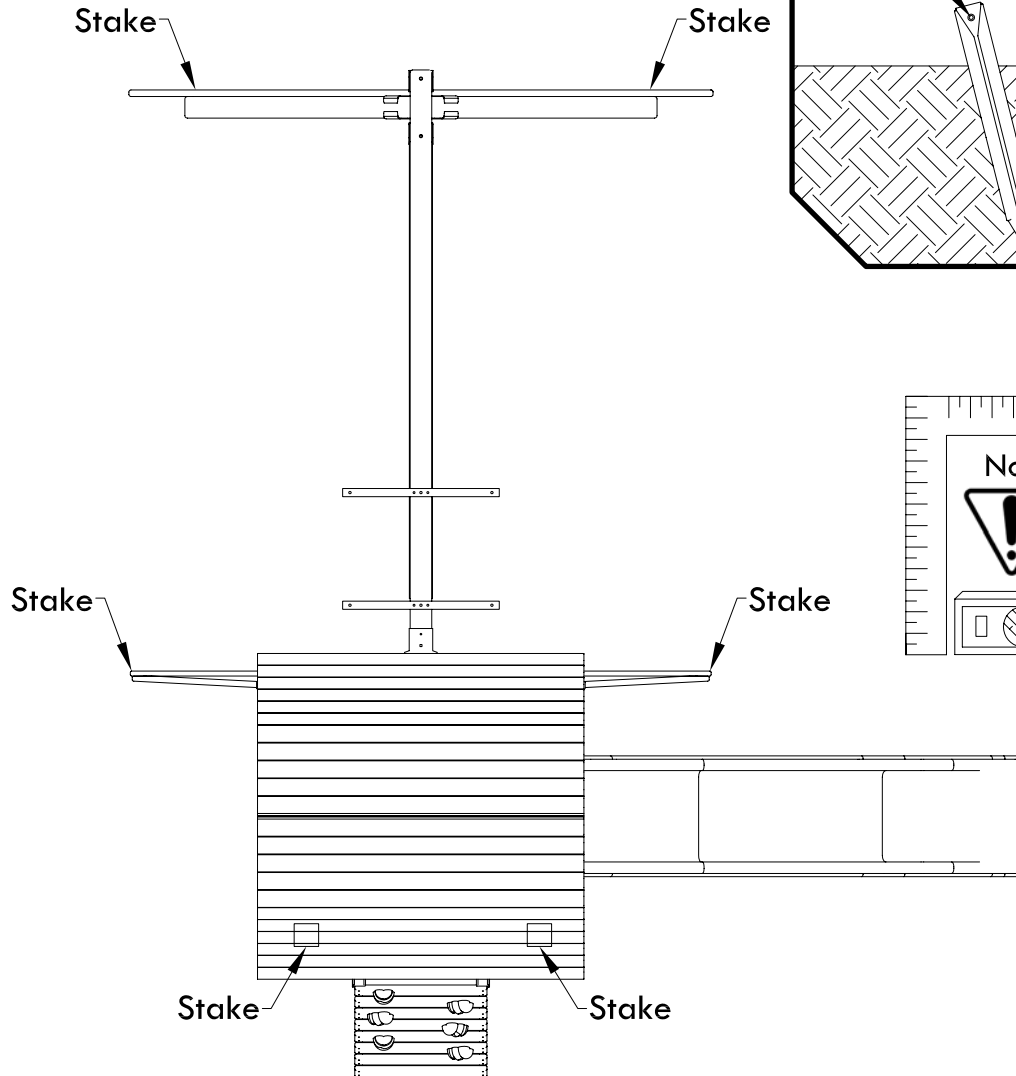
Anchoring Instructions

Items needed for this phase:

(6) Anchoring Stakes



Step 1: Drive Stakes into ground against boards where shown below and attach with (1) 2 1/4" deck screw each as shown in Fig. 31.



Note: Failure to use stakes can void warranty & cause injury.

Final Step: Double check and make sure every bolt, screw and nut is tight. Make sure every board is secure. Make sure the fort is level and enjoy your playset.

Customer Notes

Frequently Asked Questions

Below are some general questions asked by customers. Some may not apply to the playset you purchased, but others may answer some of the questions you may have about your playset.

Q: What size of play area do you recommend around the playset so my child may play safe?

A: We recommend at least a six-foot play perimeter around the playset.

Q: My swing set seems to sway or rock too much. What is wrong?

A: Rocking is caused by uneven ground or obstructions such as rocks, roots, etc. under the ground rails. These obstructions should be removed and the ground underneath leveled to prevent rocking. If the fort itself is moving, it is usually caused because the fort is not staked down. Staking is required and will stop most of the movement.

Q: The end ladder is not straight up and down. What is wrong?

A: Nothing is wrong. The end ladder does not form a 90° angle. It has an angle to it.

Q: The S-hooks for my swings won't close. What is wrong?

A: The S-hook must be on a solid foundation when trying to close. It takes quite a few strokes, but the S-hook will close.

Q: The top ladder does not have holes for the swing hanger lags. Why not?

A: The top ladder is probably installed upside-down.

Q: My wood appears to be cracking. Is that a problem?

A: No, expansion and contraction of wood due to weather changes will cause slight cracking (technically called checking) and distortion. These are natural characteristics of wood and do not affect the structural integrity of the playset.

Q: My 2x4 boards do not measure 2"x4". Why not?

A: It has been common practice in the U.S. to use the rough-cut dimension from a sawmill to describe the width and height of a particular piece of lumber. Many retailers, designers, contractors and manufactures utilize this description with a common and accepted knowledge that the actual size will vary from this description. Our sets are designed using the actual dimension. This ensures the sets will be assembled properly and be safe for the recommended use.

Q: How often should I re-stain my playset and what should I use?

A: The playset should be checked at least once a year depending on the weather. Lightly sand any rough areas and re-stain the set with a waterborne transparent stain.

Limited Warranty

Adventure Playsets Inc. insures to the original owner of our product, that the components of our set are free from defect in materials and will be warranted for one year from the date of purchase. In addition, all wooden components will be warranted against rot or insect damage for 12 Years to the original owner. All non-wood components will carry a one-year warranty only.

All defective parts that are discovered and reported in the first thirty days after purchase will be replaced at no charge to the registered customer. After thirty days of purchase shipping and handling charges for replacement warranty parts will be passed on to the consumer.

All returned goods must be approved by our customer service department. We will not accept any goods without an authorization code. Our customer service department will give out all codes. Failure to supply authorization code with shipment will void all said warranty. Our customer service department can be reached at 1-800-856-4445.

This Limited Warranty does not cover the following:

- ❑ The cost of labor required to re-install or disassemble the defective component.
- ❑ The cost of air freight
- ❑ The cost of freight after the initial 30 days from purchase.
- ❑ Cosmetic defects that do not affect the structural integrity of the play center.
- ❑ Any abnormal conditions such as vandalism, improper installation, misuse or abuse, or improper maintenance.
- ❑ Damage done by nature such as wind, lightning, severe weather, etc...
- ❑ Natural defects of wood such as warping checking or any other physical properties of wood that do not present a hazard.
- ❑ Damage done to the set caused by failure to follow maintenance instructions. (refer to page 7)
- ❑ Floor models, Display Units, Clearance Items or any other unit purchased from another individual making you the 2nd owner, are not covered by the limited warranty.

Adventure Playsets products have been carefully designed to insure your child's safety. Any modifications to your playsystem could result in serious injury as well as void all warranties.

Our playsets are designed for Residential use only, for children between the ages of 3 and 10. Commercial use such as nurseries (including home/residential childcare), parks or schools, voids all warranties and liabilities.

Warranty claim procedure

If you are confident that your playsystem has been installed and maintained properly, and you have a warranty claim, proceed with the following steps:

1. We will need copy of your proof of purchase (Vendor sales receipt only.)
2. We require a brief written description of the warranty issue.
3. Photos of warranted parts and of the entire play system.

If **any** of the above steps are not completed, there may be delays in the completion of your claim, or possibly warranty cancellation.

Mail information to:

**Adventure Playsets
14201 I-27
Amarillo, Texas
79119**

or email at

custservice@adventureplaysets.com

Our customer service department will review the claim and make contact with the customer by mail or by phone. The customer will only pay for shipping and handling to and from factory if warranty is approved.

1-800-856-4445

Service department hours Monday thru Friday: 9am to 6pm

Saturday: 9am to 2pm (During Season: March 1 – Aug. 15)

Central standard time

Customer Registration Card

Name: _____

Address: _____

City: _____ State: _____ Zip: _____

Home Phone: _____

Date of Purchase: _____ Date Stamped on Box: _____

Vendor Name: _____

City: _____ State: _____ Zip: _____

Unit Model: 1-AP056-07 Unit Name: The Country Barn - 2007

Please check the boxes below:

How old are you?

18-30 31-43 44-56 Older than 56

How would you rate the quality of our product?

Above Average Average Fair Poor

How would you rate the ease of assembly of our product?

Above Average Average Fair Poor

How would you rate our instructions?

Above Average Average Fair Poor

Would you recommend our product to friends & family?

Yes No

How old are your children?

3-4 5-6 7-8 9-10

Where did you hear about us?

Friend Store Display Advertisement Internet

Comments: _____



Customer Registration Card

**Do not forget to send in your registration card to the factory.
This card will validate your time of purchase for warranty items.**

Fold here

**Place
stamp
here**

**Adventure Playsets
14201 I-27
Amarillo Texas, 79119**